

Freestanding Cooker, Dual Fuel, 90cm, 5 Burners, Self-cleaning

Series 9 | Classic

Stainless Steel

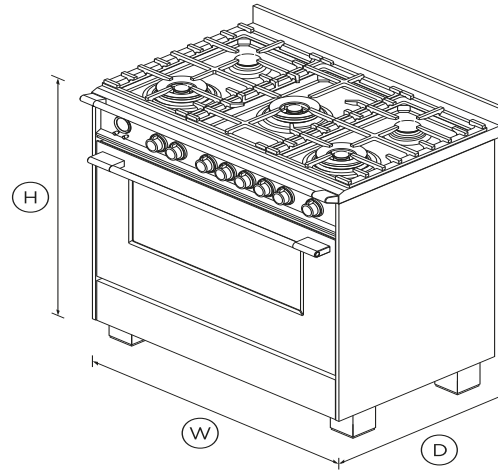


Get the best of both worlds with dual fuel. A gas cooktop with wok burner is paired with a nine-function convection oven.

- Five burner gas cooktop with three wok burners
- Convection oven with 140L capacity and nine oven functions plus rotisserie including Pastry Bake with pizza mode
- Non-tip full-extension shelves for safe removal of hot dishes
- Pyrolytic self-clean that breaks down food residue for an easy clean

DIMENSIONS

Height	898 - 946mm
Width	897mm
Depth	600mm



FEATURES & BENEFITS

MULTI-SHELF COOKING

Our AeroTech™ system circulates air evenly throughout the entire oven so dishes on the top shelf turn out just as perfectly as food cooking on the bottom shelf.

QUALITY AND DURABILITY

Every detail has been carefully crafted. The solid, perfectly balanced soft-close door, durable cooktop trivets and glowing halo dials all add up to an exceptional, premium range.

EASY CLEANING

With its durable surface, your cooktop simply needs a quick wipe after cooking to keep it looking good as new for years to come.

BURNER POWER & CONTROL

Instant and immediate control from the highest to the gentlest heat. The finely tuned cooktop controls let you sear, stir fry or simmer a delicate sauce to perfection.

LARGE CAPACITY OVEN

The generous 140L total capacity oven gives you plenty of space to cook multiple dishes at once.

EVEN HEAT

Accurate, electronically-controlled oven heat ensures a great result every time.

SPECIFICATIONS

Accessories

Flat wire shelf	1
Full Extension Telescopic	2 sets (part 578744)
Full extension sliding shelves	2 sets (part 578744)
Grill rack	•
Kick strip, stainless steel	KICKOR90X1
Roasting dish	1
Rotisserie set	1 set
Small pot support	1 (part 533981 cast)
Step down wire shelf	•

Burner ratings

Dual wok burner inner/outer	14.9MJ/h
Dual wok burner inner/outer	16.2MJ/h
Maximum burner power	16.2MJ/h
Semi-rapid burner (LPG) x2	5.8MJ/h

Semi-rapid burner (natural)	6.5MJ/h
Total cooktop power	58.0MJ/h
Triple ring wok burner (LPG)	14.4MJ/h
Triple ring wok burner (natural)	14.4MJ/h

Capacity

Capacity usable	120L
Shelf positions	6
Shelf positions	6
Total capacity	140L
Usable capacity	120L

Cleaning

- Acid resistant graphite enamel
- Drop down grill element
- Pyrolytic proof shelf runners
- Pyrolytic self-clean
- Removable oven door
- Removable oven door inner
- Removable shelf runners

Controls

- Audio feedback
- Automatic cooking/minute
- Automatic pre-set
- Celsius/Fahrenheit
- Electronic clock
- High resolution display
- Laser etched graphics

- Precise electronic temperature
- Sabbath mode
- Turned stainless steel clock
- Turned stainless steel clock

Oven features

- AeroTech™ technology
- Automatic rapid pre-heat
- Bright chromed, cast zinc dials
- Electronic oven control
- Full extension telescopic
- Internal light **4 x 25W halogen (2 side & 2**
- Soft open/close door
- True convection
- Twin cavity fans
- Warming drawer

Oven functions

- Bake
- Energy slow cook
- Fan bake
- Fan forced
- Fan grill
- Grill
- Number of functions **9**
- Pastry Bake with Pizza mode
- Rapid proof
- Roast
- Rotisserie
- True convection

Oven performance

CoolTouch door	Quadruple glazed
Warming drawer power	202W

Power requirements

Amperage	23A
Supply frequency	50Hz
Supply voltage	220 - 240V

Product dimensions

Depth	600mm
Height	898 - 946mm
Width	897mm

Cooktop Features

- Brass burner spreader (power)
- Embossed brass burner cap
- Hob rail
- LPG/Natural gas compatible
- Sealed range top

Cooktop Performance

Number of burners	5
-------------------	----------

Safety

- Advanced cooling system
- Anti-tilt bracket
- Balanced oven door
- Catalytic venting system

CoolTouch door	•
Flame failure system	•
Full extension telescopic	2 sets (part 578744)
Full extension telescopic	•
Non-tip shelves	•

Warranty

Parts and labour	2 years
------------------	----------------

SKU	81688
-----	-------

The product dimensions and specifications in this page apply to the specific product and model. Under our policy of continuous improvement, these dimensions and specifications may change at any time. You should therefore check with Fisher & Paykel's Customer Care Centre to ensure this page correctly describes the model currently available. ? Fisher & Paykel Appliances Ltd 2020

Other product downloads available at fisherpaykel.com

- [↓](#) Service & Warranty
- [↓](#) User Guide
- [↓](#) Installation Guide - Kick Strip
- [↓](#) Installation Guide

**A PEACE OF MIND SALE****24 Hours 7 Days a Week Customer Support****T 1300 650 590 Wwww.fisherpaykel.com**