

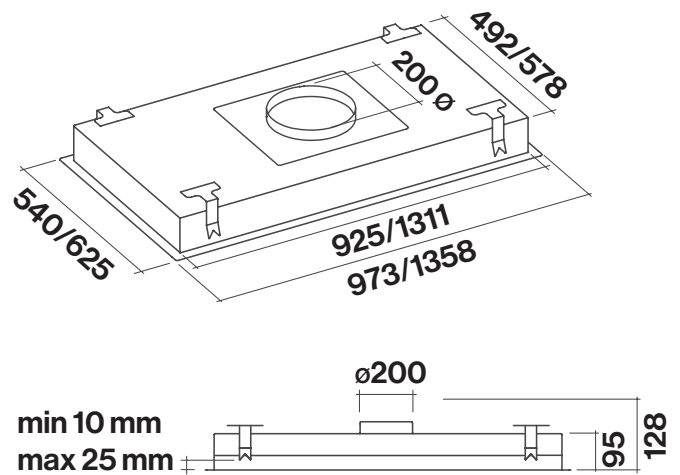


Product Features

Motor Type	Remote (Inline or Wall Mounting)
Filtration Type	Metallic Grease Filter x 3 (Nube 90) Baffle Filter x 4 (Nube 140) Perimeter Suction
Controls	Electronic Control (Remote Control Included)
Speed Settings	3 Speed + Boost
Timer Function	15 Min Auto Shut-Off
Ducting	200mm Circular Outlet + 5m of flexible ducting supplied
Included Accessories	90° Elbow Wall Vent (Inline Motor Only)
Other	N/A

* Maximum distance from cooktop 150cm

Dimensioned Drawings



Model Code	Hood Mounting	Size	Motor Output	Lighting	Finish
F9NB90S1-IN1300 •	Ceiling	90cm	1300 m ³ /hr	N/A	Stainless Steel
F9NB90S1-EW1500 •	Ceiling	90cm	1500 m ³ /hr	N/A	Stainless Steel
F9NB14S1-IN1300	Ceiling	140cm	1300 m ³ /hr	N/A	Stainless Steel
F9NB14S1-EW1500	Ceiling	140cm	1500 m ³ /hr	N/A	Stainless Steel

Special Order •