



NEXUS SE



NEXUS SE | Dual Fuel



BLACK

STAINLESS STEEL

SLATE

IVORY

Trim: Satin Chrome



KEY FEATURES

- 3 Ovens:
 - LH** - Programmable, multifunctional oven
 - RHB** - Fan oven
 - RHT** - Slow cook oven (80 - 140°)
- Telescopic runners - 2 shelves both ovens
- Rapid Response™
- Separate deluxe glide-out™ grill with 4-way trivet (dual-circuit)
- Seamless hob with three spill areas and five burners, including a multi-ring burner, semi-gloss cast-iron pan supports, a wok cradle and a multizone with two ceramic zones and a flat, aluminium griddle
- Door-width handles / towel rails

HOB OPTIONS



Gas (DF)
(Single-handed ignition)

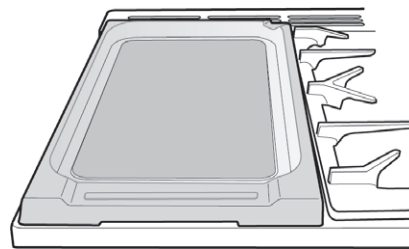


110cm

SPECIFICATIONS - DUAL FUEL MODEL

	NEXUS SE 110
HOB FUEL TYPE	GAS (DF)
PRODUCT CODE	NEXSE110DF
WIDTH (mm)	1092
HEIGHT TO HOTPLATE (mm) MIN/MAX	905 / 930
DEPTH EXCLUDING/INCLUDING HANDS (mm)	608 / 648
WEIGHT (KG - UNPACKED)	147
HOB RATINGS	1 X 3.8 - 15.2MJ ^κ
MJ - MEGAJOULES - GAS	1 X 3.0 - 12.3MJ
« MULTI RING BURNER	2 X 1.55 - 6.2MJ
	1 x 0.82 - 3.7MJ
TOTAL MJ RATING	43.60
ELECTRICAL RATING MULTIZONE HOB 230V (kW)	2.20 (2 X 1.10)
RATED CONNECTED LOAD (AMPS)	52.00
THREE-PHASE CONNECTION (AMPS)	3 X 18
ELECTRICAL CONNECTION (AMPS)#	40#
MAXIMUM ELECTRICAL LOAD (kW @ 230V))	11.80
GRILL POWER RATING (kW)	2.3
SEPARATE GRILL	GLIDE-OUT™ (TELESCOPIC)
OVEN TEMPERATURE °C MAX	240 °C
DIMENSIONS - LH OVEN (WxHxD)	466 X 434 X 359
CAPACITY - LH OVEN (LITRES)	79
DIMENSIONS - RH OVEN (WxHxD)	466 X 434 X 359
CAPACITY - RH OVEN (LITRES)	79
OVEN SHELVES (+1 = PLATE RACK)	L: 2 FLAT / R: 2 FLAT
PAN SUPPORT MATERIAL	CAST IRON
TIMER TYPE	3 BUTTON 24 HOUR / WHITE DISPLAY
OVEN LIGHT	BOTH OVENS
OVEN LINERS: CATALYTIC (C) / ENAMEL (E)	BOTH OVENS: C

GAS HOB / MULTIZONE



^κUsing assessed maximum demand. Not all zones can be used at once. Consult with a licensed electrician.

Oven dimensions are for information only; they should not be used to define oven cookware dimensions.

NEXUS SE | Induction



BLACK

STAINLESS STEEL

SLATE

IVORY

Trim: Satin Chrome

KEY FEATURES

- 3 Ovens:
 - LH** - Programmable, multifunctional oven
 - RHB** - Fan oven
 - RHT** - Slow cook oven (80 – 140°)
- Telescopic runners - 2 shelves both ovens
- Rapid Response™
- Separate deluxe glide-out™ grill with 4-way trivet (dual-circuit)
- Induction hob with 5 cooking zones, including a large central zone and a bridging-zone that can be used as two separate cooking zones, one large cooking zone or a base for the induction griddle that comes with the cooker
- Door-width handles / towel rails
- Three low temperature settings
 - L1** - 44°C, ideal for melt butter or chocolate
 - L2** - 70°C, to keep prepared food warm
 - L3** - 94°C, perfect for simmering

HOB OPTIONS



Induction



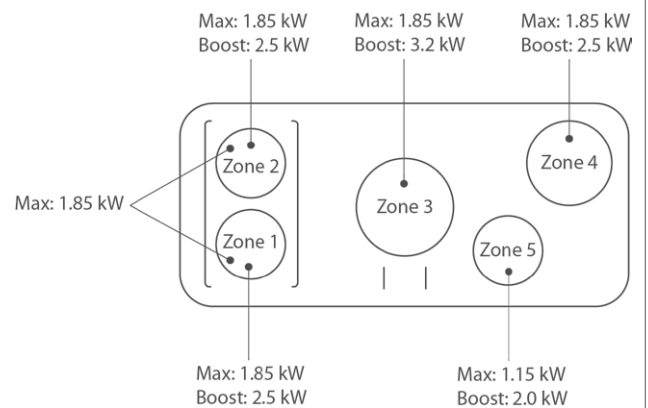
110cm



SPECIFICATIONS - INDUCTION MODEL

	NEXUS SE 110
HOB FUEL TYPE	INDUCTION
PRODUCT CODE	NEXSE110E1
WIDTH (mm)	1100
HEIGHT TO HOTPLATE (mm) MIN/MAX	905 / 930
DEPTH EXCLUDING/INCLUDING HANDLES (mm)	608 / 646
WEIGHT (KG - UNPACKED)	150
HOB RATINGS	1.85 / 2.50 kW
KW - KILOWATTS - INDUCTION	1.85 / 2.50 kW
	1.85 / 3.20 kW
	1.85 / 2.50 kW
	1.15 / 2.00 kW
TOTAL HOB RATING (kW)	7.40
ELECTRICAL RATING BRIDGING-ZONE 230V (kW)	1.85
RATED CONNECTED LOAD (AMPS)	74.00
THREE-PHASE CONNECTION (AMPS)	3 X 25
ELECTRICAL CONNECTION (AMPS)#	40#
MAXIMUM ELECTRICAL LOAD (kW @ 230V)	1700
GRILL POWER RATING (kW)	2.30
SEPARATE GRILL	GLIDE-OUT™ (TELESCOPIC)
OVEN TEMPERATURE °C MAX	240 °C
DIMENSIONS - LH OVEN (WxHxD)	466 X 434 X 359
CAPACITY - LH OVEN (LITRES)	79
DIMENSIONS - RH OVEN (WxHxD)	466 X 434 X 359
CAPACITY - RH OVEN (LITRES)	79
OVEN SHELVES (+1 = PLATE RACK)	L: 2 FLAT / R: 2 FLAT
TIMER TYPE	3 BUTTON 24 HOUR/WHITE DISPLAY
OVEN LIGHT	BOTH OVENS
OVEN LINERS: CATALYTIC (C) / ENAMEL (E)	BOTH OVENS: C

INDUCTION HOB / BRIDGING-ZONE



#Using assessed maximum demand. Not all zones can be used at once. Consult with a licensed electrician.

Oven dimensions are for information only; they should not be used to define oven cookware dimensions.



Distributor / Dealer Information:

Copyright © AGA Rangemaster Limited 2019

Brand names, words and logos are registered trademarks of AGA Rangemaster Limited

Andi-Co Australia 1 Stamford Road, Oakleigh VIC 3166, Australia E-mail: sales@andico.com.au www.andico.com.au/falcon

Falcon continuously seeks improvements in specification, design and production of products and thus, alterations take place periodically. Whilst every effort is made to produce up-to-date literature, this brochure should not be regarded as an infallible guide to current specification, nor does it constitute an offer for the sale of any particular appliance.

November 2019