

TECHNICAL DATASHEET

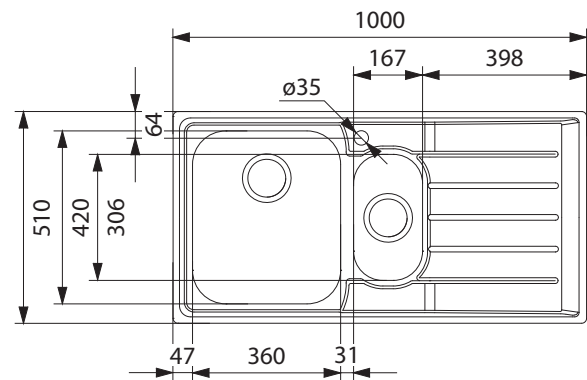
NEPTUNE NEX 651 RHD

Product Category	Sinks
Finish	Stainless Steel
Installation	Inset
Range	NEPTUNE
Model	NEX 651 RHD
Warranty	50 Years



PRODUCT INFORMATION

Article Number	101.0059.635
Dimensions	1000 x 510mm
Cabinet Base	600mm
Bowl Size	360 x 420 x 200mm/27L 167 x 306 x 152mm/7L
Bowl Radius	50mm
Cut-Out Size	984 x 494mm, cr=20
Cut-Out Template	No
Waste Outlet	Semi Integrated Waste
Overflow	No
Tap Holes	Yes (cut out 35mm)
Remote Waste	No
Opposite Configuration	101.0059.634
Accessories	1 2 3 4 5



1 ACCESSORIES AVAILABLE **1** ACCESSORIES INCLUDED

ACCESSORIES

1



CB 601
Chopping Board

2



SB 603
Strainer Bowl

3



ST 602
Strainer Tray

4



DB 664
Drainer Basket

5



RM 44
Rollamat

FEATURES & BENEFITS



Food Preparation Centre



18/10 Stainless Steel



Waste to Rear of Main Bowl



Sound Deadening Pads



Integrated Sealing Strip

LAST UPDATED: 14 JAN 2016

Make it wonderful

FRANKE