

# TECHNICAL DATASHEET

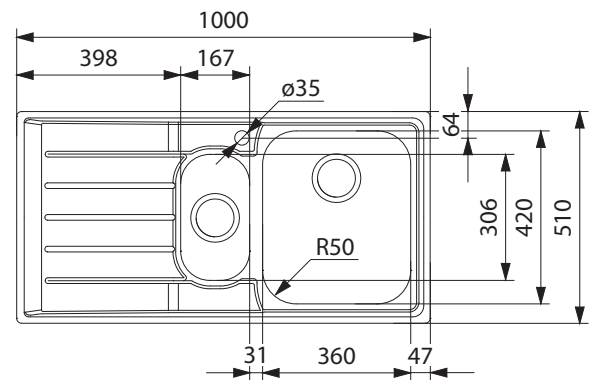
## NEPTUNE NEX 651 LHD

Product Category	Sinks
Finish	Stainless Steel
Installation	Inset
Range	NEPTUNE
Model	NEX 651 LHD
Warranty	50 Years



### PRODUCT INFORMATION

Article Number	101.0059.634
Dimensions	1000 x 510mm
Cabinet Base	600mm
Bowl Size	360 x 420 x 200mm/27L 167 x 306 x 152mm/7L
Bowl Radius	50mm
Cut-Out Size	984 x 494mm, cr=20
Cut-Out Template	No
Waste Outlet	Semi Integrated Waste
Overflow	No
Tap Holes	Yes (cut out 35mm)
Remote Waste	No
Opposite Configuration	101.0059.635
Accessories	<b>1</b> <b>2</b> <b>3</b> <b>4</b> <b>5</b>



**1** ACCESSORIES AVAILABLE    **1** ACCESSORIES INCLUDED

### ACCESSORIES

<b>1</b> 	<b>2</b> 	<b>3</b> 	<b>4</b> 	<b>5</b> 
<b>CB 601</b> Chopping Board	<b>SB 603</b> Strainer Bowl	<b>ST 602</b> Strainer Tray	<b>DB 664</b> Drainer Basket	<b>RM 44</b> Rollamat

### FEATURES & BENEFITS

 <b>FPC</b> Food Preparation Centre	 <b>18/10</b> Stainless Steel	 <b>Waste to Rear of Main Bowl</b>	 <b>Sound Deadening Pads</b>	 <b>Integrated Sealing Strip</b>
--	---	---	---	---

LAST UPDATED: 14 JAN 2016

Make it wonderful

**FRANKE**