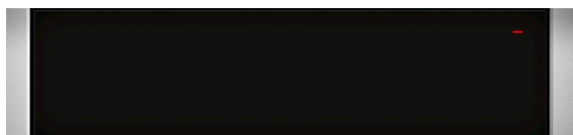


N 90, Built-in warming drawer, 60 x 14 cm, Stainless steel
N17HH10NOB



COOKING PASSION SINCE 1877



A warming drawer that fits like a glove - 14 cm installation height. Together with a 45 cm Compact oven it snuggles smoothly into the 60 cm niche

- ✓ Push & Pull – One gentle touch opens and closes your drawer.
- ✓ Installation with compact appliance – combine your drawer with any 45 cm appliance

Features

Technical Data

Built-in / Free-standing : Built-in
Color / Material Front : Stainless steel
Maximum number of plates : 12
Maximum number of espresso cups : 64
Dimensions of the packed product (HxWxD) : 210 x 660 x 660 mm
Required niche size for installation (HxWxD) : 140 x 560 x 550 mm
EAN code : 4242004184584
Electrical connection rating : 810 W
Fuse protection : 10 A
Voltage : 220-240 V
Frequency : 60; 50 Hz
Plug type : GB plug



4 242004 184584

*N 90, Built-in warming drawer, 60 x 14 cm,
Stainless steel
N17HH10NOB*

Features

Design

Convenience

- Rotary Control
- User-friendly electronics: extremely easy and comfortable operation
- Heating plate made of toughened glass
- Cavity volume: 20 l usable litres
- Max weight up to 25 kg
- Max. loading espresso cups: 64 PC or Max. loading plates: 12 PC
- Suitable for: Pre-warming of crockery, Keeping drinks and food warm, Dough proving, Defrosting, Slow cooking
- Temperature control with 4 levels: 40 °C - 80 °C (glass surface temperature)
- Push&Pull opening mechanism

Technical Info

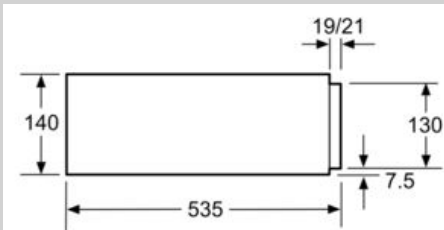
- Length of mains cable: 150 cm
- Total connected load electric: 0.81 KW
- Nominal voltage: 220 - 240 V

Dimensions

- Appliance dimensions (HxWxD): 140 mm x 596 mm x 548 mm
- Installation dimensions (HxWxD): 140 mm x 560 mm - 568 mm x 550 mm
- Please reference the built-in dimensions provided in the installation drawing

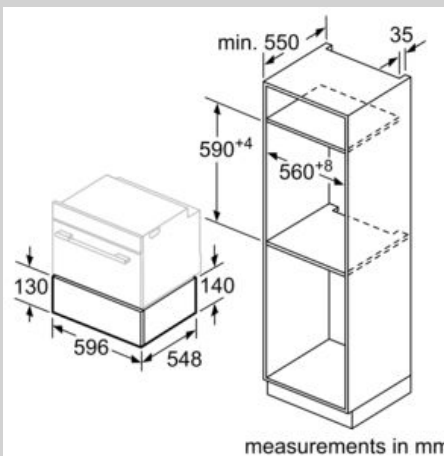
N 90, Built-in warming drawer, 60 x 14 cm,
Stainless steel
N17HH10NOB

Dimensioned drawings



Compact ovens with an appliance height of 455 mm can be installed above a warming drawer. An intermediate floor is not required.

measurements in mm



measurements in mm