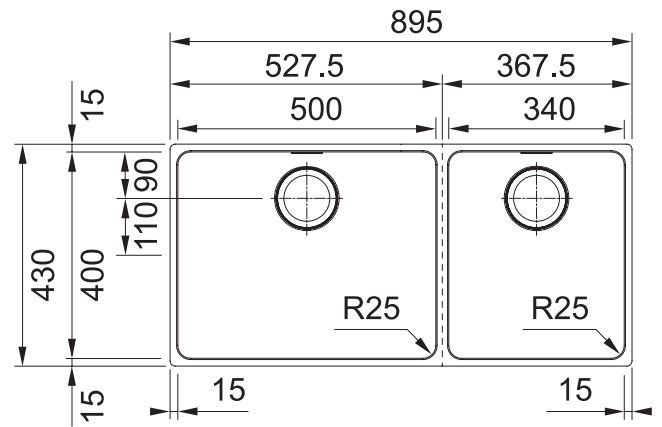


# MYTHOS

MYX220-50/34BSBR



## PRODUCT INFORMATION

<b>Installation</b>	Topmount/Flushmount/Undermount
<b>Dimensions</b>	895 x 430mm
<b>Cabinet Base</b>	1000mm
<b>Bowl Size</b>	500 x 400 x 200mm/40L 340 x 400 x 200mm/27L
<b>Bowl Radius</b>	25mm
<b>Cut-Out Size</b>	Template
<b>Cut-Out Template</b>	Yes (refer to attachment)
<b>Waste Outlet</b>	Semi Integrated Waste
<b>Overflow</b>	Yes
<b>Tap Holes</b>	No
<b>Remote Waste</b>	No
<b>Finish</b>	Stainless Steel
<b>Warranty</b>	50 Years

**NOTE:** Cut-out dimensions are a guide only, please use the actual sink as your template.

## FEATURES & BENEFITS



Food Preparation Centre



18/10 Stainless Steel



Push Button Remote Waste



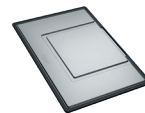
Hidden Overflow



Sound Deadening Pads

## ACCESSORIES

— Included Accessory  
- - - Available Accessory



**DT288**  
Extension Drainer



**RM081**  
Rollamat



**PB835**  
Push Button Waste



**CBP082**  
Chopping Board



**SB398**  
Strainer Bowl

BARE SINK OPTION AND SOME SINK & TAP PACKAGES DO NOT INCLUDE ACCESSORIES. PLEASE CHAT TO YOUR SALES CONSULTANT FOR FURTHER INFORMATION.

LAST UPDATED: 25 OCTOBER 2021

