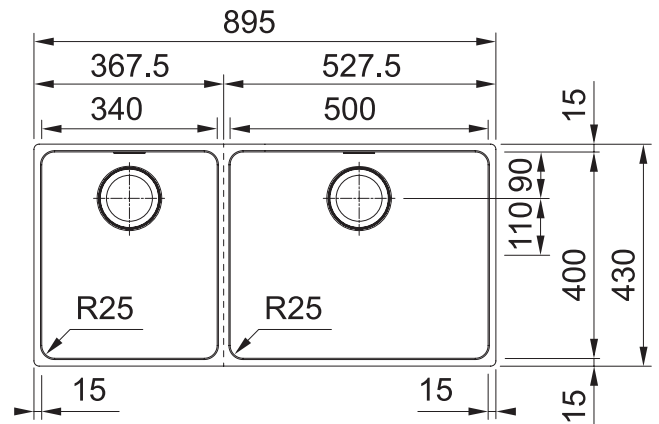


MYTHOS

MYX220-50/34BSBL



PRODUCT INFORMATION

Installation	Topmount/Flushmount/Undermount
Dimensions	895 x 430mm
Cabinet Base	1000mm
Bowl Size	500 x 400 x 200mm/40L 340 x 400 x 200mm/27L
Bowl Radius	25mm
Cut-Out Size	Template
Cut-Out Template	Yes (refer to attachment)
Waste Outlet	Semi Integrated Waste
Overflow	Yes
Tap Holes	No
Remote Waste	No
Finish	Stainless Steel
Warranty	50 Years

NOTE: Cut-out dimensions are a guide only, please use the actual sink as your template.

FEATURES & BENEFITS



Food Preparation Centre



18/10 Stainless Steel



Push Button Remote Waste



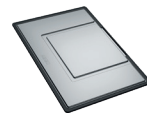
Hidden Overflow



Sound Deadening Pads

ACCESSORIES

— Included Accessory
- - - Available Accessory



DT288
Extension Drainer



RM081
Rollamat



PB835
Push Button Waste



CBP082
Chopping Board



SB398
Strainer Bowl

BARE SINK OPTION AND SOME SINK & TAP PACKAGES DO NOT INCLUDE ACCESSORIES. PLEASE CHAT TO YOUR SALES CONSULTANT FOR FURTHER INFORMATION.

LAST UPDATED: 25 OCTOBER 2021

