

MARIS

MRG610-72



MRG610-72 MB



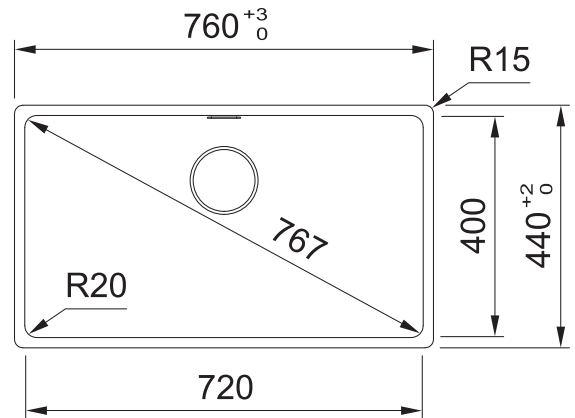
MRG610-72 ON



MRG610-72 PW



MRG610-72 SG



PRODUCT INFORMATION

| | |
|-------------------------|-------------------------|
| Installation | Topmount |
| Dimensions | 760 x 440mm |
| Cabinet Base | 800mm |
| Bowl Size | 720 x 400 x 200mm / 57L |
| Bowl Radius | 20mm |
| Cut-Out Size | Template |
| Cut-Out Template | Yes |
| Waste Outlet | Semi Integrated Waste |
| Overflow | Hidden |
| Tap Holes | No |
| Remote Waste | No |
| Finish | Fragranite |
| Warranty | 50 Years |

NOTE: Cut-out dimensions are a guide only, please use the actual sink as your template.

FEATURES & BENEFITS



Food Preparation Centre



Fragranite



Hidden Overflow



Fast Fix Installation



Sanitized® Surface

ALL-IN ACCESSORIES (AVAILABLE)

PACK 1

- Telescopic Bridge
- Chopping Board
- Small Strainer Bowl
- Small Storage Box
- Bamboo Lid

PACK 2

- All Accessories Included In Pack 1
- +
- Silicon Drainer Mat

PACK 3

- All Accessories Included In Pack 2
- +
- Large Strainer Bowl
- Storage Container

ADDITIONAL ACCESSORIES

— Included Accessory
- - - Available Accessory



DT651
Extension Drainer



DB448
Drainer Basket



RM44
Rollamat

BARE SINK OPTION AND SOME SINK & TAP PACKAGES DO NOT INCLUDE ACCESSORIES. PLEASE CHAT TO YOUR SALES CONSULTANT FOR FURTHER INFORMATION.

LAST UPDATED: 31 MARCH 2022

