

TECHNICAL DATASHEET

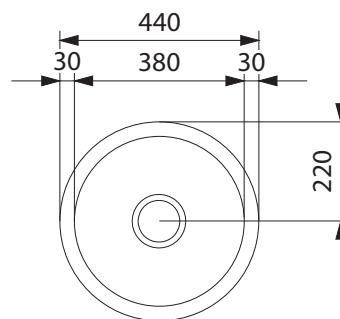
RAMBLA LUX 610

Product Category	Sinks
Finish	Stainless Steel
Installation	Inset
Range	RAMBLA
Model	LUX 610
Warranty	50 Years



PRODUCT INFORMATION

Article Number	101.0059.924
Dimensions	∅ 440mm
Cabinet Base	450mm
Bowl Size	∅ 380 x 180mm
Bowl Radius	∅ 440mm
Cut-Out Size	∅ 425mm
Cut-Out Template	No
Waste Outlet	Semi Integrated Waste
Overflow	No
Tap Holes	No
Remote Waste	No
Opposite Configuration	-
Accessories	1



1 ACCESSORIES AVAILABLE **1** ACCESSORIES INCLUDED

ACCESSORIES

1



RM 44
Rollamat

FEATURES & BENEFITS



Food Preparation Centre



Stainless Steel



Sound Deadening Pads

LAST UPDATED: 14 JAN 2016

Make it wonderful

FRANKE