

**iQ500, Integrated Design Hood,
90 cm, clear glass black printed,
Black
LJ97BAM60**



LZ16IB14	Clean Air Standard recirculation kit
LZ11BK61	Chimney extension 450-854 mm
LZ11BN61	Chimney extension 187-360 mm

Seamlessly integrated glassVisor rangehood for maximum use of storage space in your cupboards.

- ✓ Storage space - Store up to 10 kg on each side of the hood.
- ✓ touchControl Plus : For a quick, easy and uncomplicated operation.
- ✓ LED light: Optimal visibility and atmosphere when cooking.
- ✓ The intensive setting temporarily increases the extraction rate when kitchen vapour is especially intense, with automatic revert to previous setting after 6 min.
- ✓ Intensive setting revert - Peak performance when steam escapes, and an automatic revert after a few minutes.

Typology: Built-in/Built-under
 Length electrical supply cord: 130 cm
 Required niche size for installation (HxWxD): 340mm x 860.0mm x 300mm mm
 Height of product, without chimney: 60 mm
 Minimum distance above an electric cooktop: 600 mm
 Minimum distance above a gas cooktop: 650 mm
 Net weight: 14.1 kg
 Type of control: Electronic
 Number of power settings: 3-stages + intensive setting
 Max. ducted extraction: 460 m³/h
 Boost position output recirculating: 652 m³/h
 Max. recirculation: 451 m³/h
 Boost position air extraction: 749 m³/h
 Number of lights: 3
 Noise level: 63 dB(A) re 1pW
 Diameter of air outlet: 120 / 150 mm
 Grease filter material: Washable stainless steel
 EAN code: 4242003906378
 Power supply: 259 W
 Voltage: 220-240 V
 Frequency: 50 Hz
 Plug type: GARDY plug w/ earthing
 Installation type: Built-in



iQ500, Integrated Design Hood, 90 cm, clear glass black printed, Black LJ97BAM60

Design

- Glass panel with touch control for an easy operation and enhanced steam and vapour capture.
- Flush-fitted installation for a seamless integration in upper kitchen cabinets
- Space efficient, compact design for extra storage possibilities on the hood and up to max. 10 kg storage weight per side.
- For recirculated extraction various recirculation kits are available as optional accessories.
- The fan and light are automatically turned on and off by opening and closing the glass panel.
- The light can also be independently turned on and off when the glass panel is closed by quick hand touch on control area.

Comfort

- Electronic controls via touchControl with LED display
- 3 power levels plus intensive setting
- Intensive setting with automatic reset function
- Intensive operation automatic revert - 6min
- 3 x 2 W LED
- Colour Temperature: 3500 K
- Light Intensity: 517 lux
- Suitable for ducted or recirculated extraction

Cleaning

- Dishwasher safe Metal grease filters
- Stainless steel filter covers
- Easy to clean smooth surfaces and materials

Performance

- Extraction rate according to EN 61591 ø 15 cm: max. Normal use 460 m³/h. Intensive 749 m³/h
- Noise level according to EN 60704-3 exhaust air:
- Max. normal use: 63dB(A) re 1 pW
- Intensive: 73 dB(A) re 1 pW
- Noise min./max. Normal Level: 50/63 dB
- With the Clean Air Plus recirculation kit (available as accessory) your appliances reaches:
- Extraction rate in recirculation mode:
- Max. normal use: 451m³/h
- Intensive: 652m³/h
- Noise level in recirculation mode:
- Max. normal use: 67dB(A) re 1 pW
- Intensive: 74 dB(A) re 1 pW

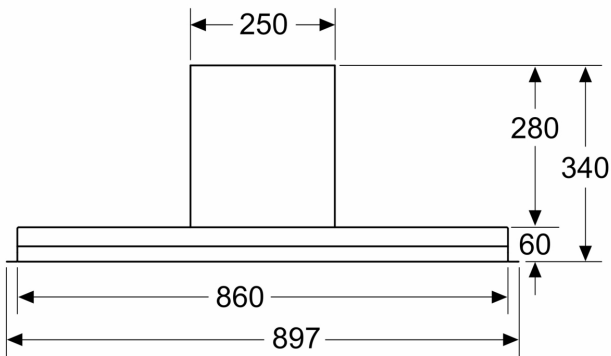
Planning and installation information

- Appliance dimensions (HxWxD): 340 x 897 x 298 mm
- Installation dimensions (HxWxD): 340 x 860 x 300 mm
- Please reference the built-in dimensions provided in the installation drawings

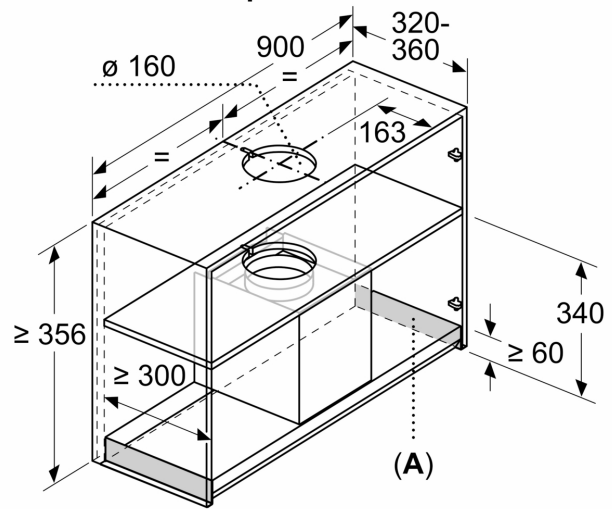
- Diameter pipe Ø 150 mm (Ø 120 mm enclosed)
- with one-way flap: prevents outside air from entering your kitchen
- Integrated Design Rangehood comfort installation: easy one -person installation system
- Suitable for installation in bottomless wall cupboards.
- Enclosed spacers for installation in upper kitchen cabinets with maximum depth of up to 360 mm
- For installation in higher kitchen cabinets chimney extensions are available as optional accessories
- Chimney extensions are compatible with the available recirculation kits.
- Electrical cable length 1.3 m
- Power rating: 259 W

**iQ500, Integrated Design Hood,
90 cm, clear glass black printed,
Black
LJ97BAM60**

measurements in mm
Front view

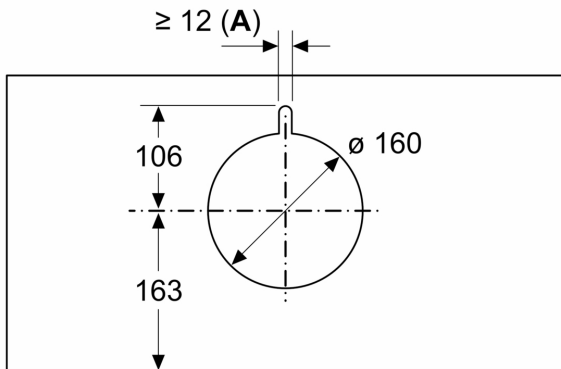


measurements in mm
Installation example



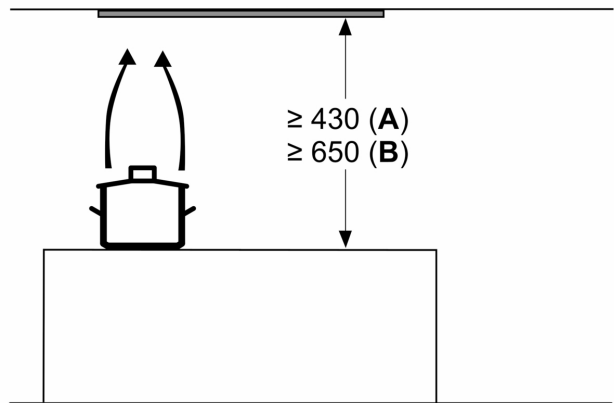
A: Area without hinges

measurements in mm



A: Cable bushing

measurements in mm



from upper edge of pan support
A: min. 430 electric
B: min. 650 gas

measurements in mm
side view

