

LINUS-S SILGRANIT™

Single lever mixer tap with pull out spray

BLANCO

LINUSSA Anthracite



LINUSSB Black



LINUSSG Rock Grey



LINUSSW White



Key Features

Engineered in Germany

Elegant mixture of chrome and SILGRANIT™ design greatly impresses and will suit all types of kitchen sinks, products and worktops.

SILGRANIT™ finish

Colour version in perfect coordination with coloured SILGRANIT™ sinks and bowls.

140° Swivel Spout

Allows better access to the sink for washing large items.

Metal-sheathed Spray Hose

Pull out hand spray with metal sheathed hose ensures longevity of the tap.

High Clearance Outlet

Giving greater ability to clean larger items in confined space.

Specifications

Material:

Available in anthracite, black, rock grey and white

Recommended Pressure:

300kPa

Min Pressure:

150kPa

Max Pressure:

1000kPa

Spray Hose Total Length:

1500mm

Extension Hose Length

500mm

Dimensions:

219mm spout length

254mm spout height

284mm tap height

Mounting Hole:

Ø 35 mm tap hole required

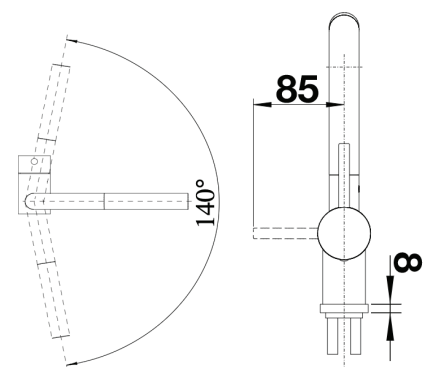
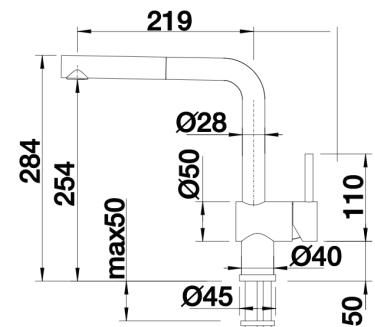
Standard Inclusions:

Australian standard flexible hose and fittings
Stabilising plate to increase stability of the tap when fitted in stainless steel sinks

Warranty:

10 years

Line Drawings



Note: Measurements are within 2 - 3mm of factory tolerance. It is advisable to check dimensions of physical product when measuring for installations and before doing any cut outs.
*Due to continual product development the information provided is not final and may be subject to change.