

LINUS SILGRANIT™

Single lever mixer tap

BLANCO

LINUSA Anthracite



LINUSB Black



LINUSG Rock Grey



LINUSW White



Key Features

Engineered in Germany

Elegant mixture of chrome and SILGRANIT™ design greatly impresses and will suit all types of kitchen sinks, products and worktops.

SILGRANIT™ finish

Colour version in perfect coordination with coloured SILGRANIT™ sinks and bowls.

360° Swivel Spout

Allows better access to the sink for washing large items.

Swivel Ended Spout

The front part of the spout can be turned, making it easier to fill large bottles.

High Clearance Outlet

Giving greater ability to clean larger items in confined space.

Ceramic Disk Cartridge

Durable and long lasting ceramic disk technology.

Specifications

Material:

Available in anthracite, black, rock grey and white

Recommended Pressure:

300kPa

Min Pressure:

150kPa

Max Pressure:

1000kPa

Dimensions:

219mm spout length

254mm spout height

284mm tap height

Mounting Hole:

Ø 35 mm tap hole required

Standard Inclusions:

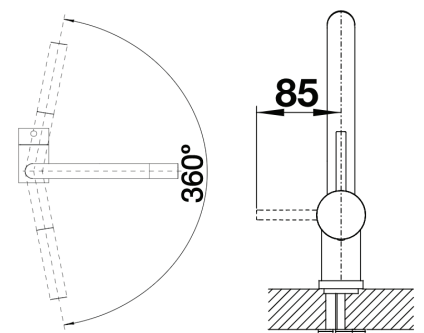
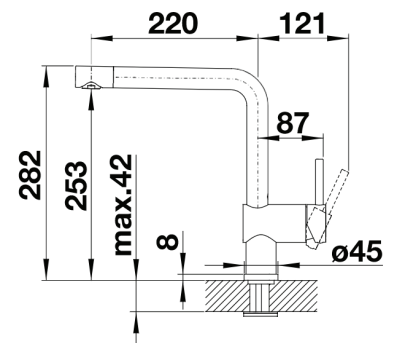
Australian standard flexible hose and fittings

Stabilising plate to increase stability of the tap when fitted in stainless steel sinks

Warranty:

10 years

Line Drawings



Note: Measurements are within 2 - 3mm of factory tolerance. It is advisable to check dimensions of physical product when measuring for installations and before doing any cut outs. *Due to continual product development the information provided is not final and may be subject to change.