

# KT110BLA

Product family	Hood
Hood Type	Decorative wall hood
Design	Chimney
Extraction	Extraction
Electronic control	Yes
Material	Painted material
Type of steel	Brushed
EAN code	8017709217129
Hood width	110 cm




## Aesthetics

Aesthetic Colour	Victoria Black	Finishing Logo	Glossy Applied
------------------	----------------	----------------	----------------

## Controls

Control setting	Electronic buttons	Led color	White
-----------------	--------------------	-----------	-------

## Programs / Functions

No. of speeds	3
Intensive speed	
Time-setting options	

## Technical Features

			
No. of lights	2	No. of filters	4
Light type	LED	Anti-grease filters	Aluminium
Light Power	2 W	Vent outlet	150 mm
Light color temperature scale (°K)	3000 °K	Minimum distance from GAS hob	750 mm
Free outlet maximum capacity	820 m <sup>3</sup> /h	Minimum distance from ELECTRIC hob	650 mm
Motor power	275 W	Non return valve	Yes

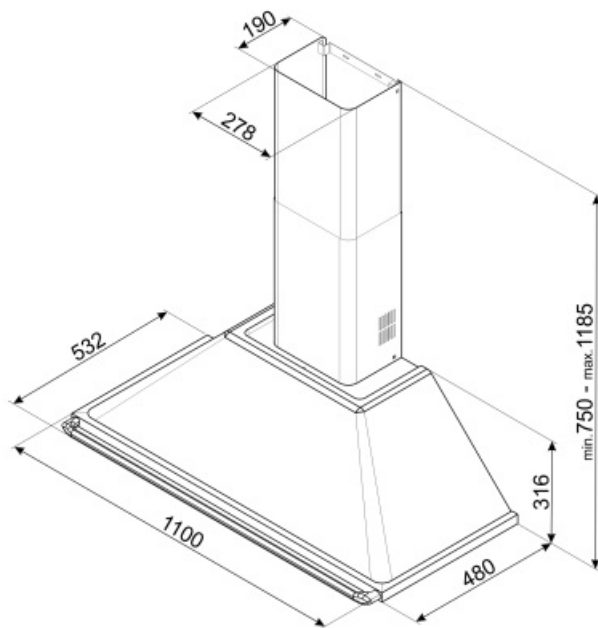
	Extraction rate IEC 61591 [m <sup>3</sup> /h]	Noise level IEC 60704-2-13 [dB(A)]
Speed 1	334	50
Speed 2	439	57
Speed 3	567	63
Intensive speed	788	70

## Electrical Connection

Electrical connection rating	279 W	Frequency (Hz)	50-60 Hz
Voltage	220-240 V	Power supply cable length	1000 mm

## Also available

Alternative colours available	Cream	Available colours	KT110PA
-------------------------------	-------	-------------------	---------



---

## Not included accessories

---



**FLT6**

Round Charcoal filters (kit 2 pieces)



**KITALLFC**

Universal Charcoal filter Stainless Steel AISI 304 The filter can be washed in dishwasher 50 °C (water and suitable detergent) and to dry it put in the oven 180°C 25 minutes

---

## Symbols glossary (TT)

---



**Filters:** Model has filters to help remove grease from the steam emanating from the pans during cooking.



**Lights:** All cooker hoods feature lights to illuminate the cooking area or add to the ambience of the kitchen.



**Switch off automatically:** A special setting, to run after the end of cooking for a pre-set time and then switch off automatically.



**Intensive/turbo setting:** when extra fast extraction is required.