

Serie | 6, built-in fridge, 177.5 x 56 cm, soft close flat hinge KIR81AD30A



Included accessories

2 x egg tray

- **LED light:** illuminates the refrigerator evenly without glare.
- **EasyAccess Shelf:** pull-out glass shelf gives you better access to the ingredients inside your fridge.
- **SuperCooling** - quickly chills new food and beverages thanks to a rapid reduction of the temperature.

Technical Data

Built-in / Free-standing : Built-in
Door panel options : Not possible
Height : 1772 mm
Width of the appliance : 558 mm
Depth of the product : 545 mm
Required niche size for installation (HxWxD) : 1775.0 x 560 x 550 mm
Net weight : 62.740 kg
Connection Rating : 90 W
Fuse protection : 10 A
Door hinge : Right reversible
Voltage : 220-240 V
Frequency : 50 Hz
Approval certificates : CE, VDE
Length electrical supply cord : 230 cm
Number of compressors : 1
Number of independent cooling systems : 1
Interior ventilator : Yes
Reversible Door Hinge : Yes
Number of Adjustable Shelves in fridge compartment : 6
Shelves for Bottles : Yes
EAN code : 4242005211029
Brand : Bosch
Product name / Commercial code : KIR81AD30A
Product category : Refrigerator
Energy consumption annual : 116.00 kWh/annum
Refrigerator Net capacity : 319 l
Freezer Net capacity : 0 l
Frost free system : No
Freezing capacity) : 0 kg/24h
Noise level : 37 dB(A) re 1 pW
Climate class : SN-T
Installation typology : Fully-integrated



4 242005 211029

Serie | 6, built-in fridge, 177.5 x 56 cm, soft close flat hinge KIR81AD30A

Performance & Consumption

- 3 Star Energy Rating, 199 kWh energy consumption per year
- Net capacity 319 litres

Design

- LED interior light lighting

Convenience & Safety

- Electronic temperature control with independent controls for fridge and freezer
- Constant temperature by intelligent sensor technology
- Automatic defrost in fridge section
- SuperCooling Function - Automatically brings down the temperature of the refrigerator to cool new groceries rapidly
- Acoustic door open alarm

Shelving & Compartments

- 7 safety glass shelves (6 height adjustable), of which Bottom shelf, 2 glass plates extendible
- Metal wine rack
- 6 door bins, 1x dairy compartment

Finish

- HydroFresh Drawer on telescopic rails
Vegetable container

Comfort

- Multiairflow system - Minimises fluctuating temperatures by ensuring optimal and uniform air circulation in the fridge

Dimensions

- Dimensions (H x W x D): 1772 mm x 558 mm x 545 mm
- Cut-out Dimension (H x W x D): 1775 mm x 560 mm x 550 mm

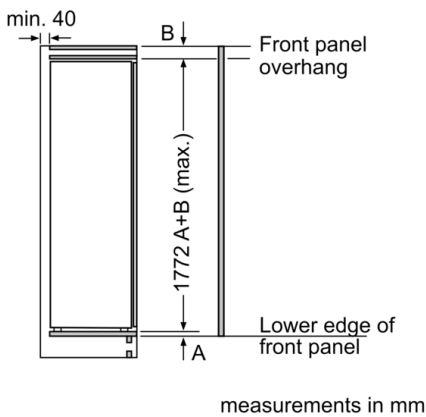
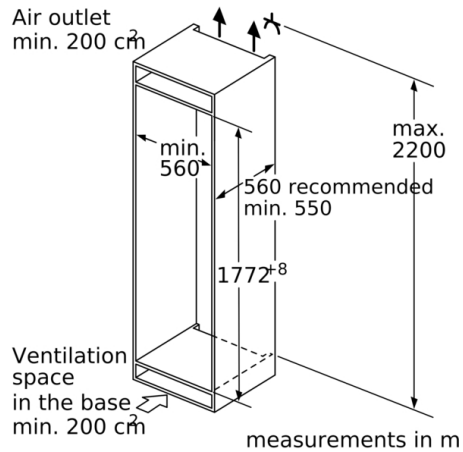
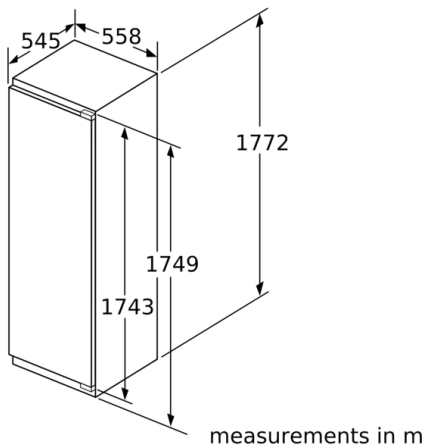
Technical Information

- Reversible door hinge
- Voltage 220 - 240 V

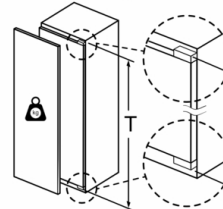
Accessories

- egg tray
- bottle holder

Serie | 6, built-in fridge, 177.5 x 56 cm, soft close flat hinge KIR81AD30A



Maximal permissible weight of the unit fronts



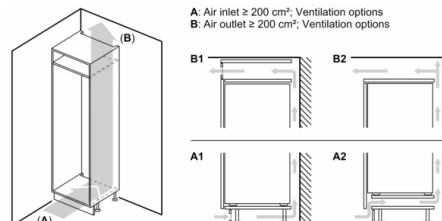
Fitted kitchen unit doors that exceed the permissible weight may cause damage and result in functional impairment of the hinges.

Hinges in mm:	undamped hinge, Door in kg:	damped hinge, Door in kg:
1500-1750	22	22

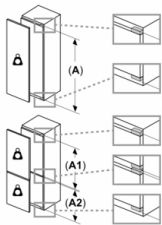
**measurements in mm
Recommended gap dimensions for flat hinges**

F	R	X
16-19	0-3	2.5
20	0-1	3
21	2-3	2.5
	0-1	3
22	2-3	2.5
	0	4
	1	3.5
	2-3	3

The gap dimensions recommended in the table must be adhered to in order to ensure that appliance doors do not collide with anything when they are opened, and to avoid causing damage to kitchen units.



**Serie | 6, built-in fridge, 177.5 x 56 cm, soft
close flat hinge
KIR81AD30A**



Maximal permissible weight of the unit fronts

Fitted unit fronts that exceed the permissible weight may cause damage and result in functional impairment of the hinges

- Δ** Weight
- A**: Appliance door height including hinges in mm
- B**: Undamped hinge, unit front in kg
- C**: Damped hinge, unit front in kg

A	B	C
1500-1750	22	22
720-1400	19	19
A1	15	19
A2	15	19