

**Series 4, French Door Bottom freezer, multi door, 183 x 90.5 cm, Stainless steel (with anti-fingerprint) KFN96VPEAA**



**The refrigerator with VitaFresh Box: thanks to the cooling compartment, your fruits and vegetables stay fresh longer.**

- **VitaFresh XXL Pro 0°C:** climate-controlled compartments lock in freshness and nutrients for longer.
- **Glossy backwall with MultiAirflow:** evenly circulates cool, fresh air to maintain consistent temperatures.
- **NoFrost:** you'll never have to defrost your fridge-freezer again.
- **LED light:** illuminates the refrigerator evenly without glare.
- **XXL capacity:** extra space to store more food items due to the slightly wider build.

Energy Efficiency Class: .....	E
Annual energy consumption AU: .....	395 kWh
Freezer Net capacity: .....	200 l
Refrigerator Net capacity: .....	405 l
Airborne acoustical noise emissions: .....	38 dB(A) re 1 pW
Noise level class: .....	C
Built-in / Free-standing: .....	Free-standing
Door panel options: .....	Not possible
Height: .....	1830 mm
Width of the appliance: .....	905 mm
Depth of the product: .....	731 mm
Net weight: .....	117.3 kg
Fuse protection: .....	10 A
Door hinge: .....	left and right
Voltage: .....	220-240 V
Frequency: .....	50 Hz
Length electrical supply cord: .....	240.0 cm
Storage Period in Event of Power Failure (h): .....	15 h
Number of compressors: .....	1
Number of independent cooling systems: .....	1
Interior ventilator: .....	Yes
Reversible Door Hinge: .....	No
Number of Adjustable Shelves in fridge compartment: .....	2
Shelves for Bottles: .....	No
Frost free system: .....	Fridge and freezer
Installation typology: .....	Free-standing
Type of hinge: .....	Flush-folding
Annual energy consumption AU: .....	395 kWh



## Series 4, French Door Bottom freezer, multi door, 183 x 90.5 cm, Stainless steel (with anti-fingerprint) KFN96VPEAA

### The refrigerator with VitaFresh Box: thanks to the cooling compartment, your fruits and vegetables stay fresh longer.

- FrostFree, No Frost, French door fridge freezer
- Freestanding Freezer with Stainless steel doors with EasyClean finish

#### Performance & Consumption

- MultiAirflow system - Minimises fluctuating temperatures by ensuring optimal and uniform air circulation in the fridge
- Total Volume : 605 l
- Net Fridge Volume : 405 l
- Net Freezer Volume : 200 l
- Annual Energy Consumption: 395 kWh (4.5 Star Energy Rating. When tested in accordance with AS/NZS IEC 62552-3. Actual energy use and running costs will depend on how you use the appliance.)
- Climate Class: SN-T
- Fast Freeze
- Noise Level : 38 dB

#### Finish

- Stainless steel doors with EasyClean finish doors and Metallic chrome side panels

#### Design

- LED interior light in fridge section
- White glossy backwall with Multi-Airflow
- Interior design with metal trims

#### Convenience & Safety

- 7 segment electronic control
- SuperCooling Function - Automatically brings down the temperature of the refrigerator to cool new groceries rapidly
- Automatic defrost in fridge section
- Child lock
- acoustic for Fridge and Freeze, Optical warning system Door open
- Acoustic Warning System, Optical Warning System by Temperatur increase

#### Shelving & Compartments

- FrostFree MultiAirflow system
- 3 safety glass shelves of which 2 are height adjustable, Standard 2 shelves extendable
- 2 door bin(s) large, 2 door bin(s) small
- Egg rack
- 1 VitaFresh 0°C drawer - Fish and meat stay fresh
- 1 VitaFresh drawer on rails with humidity control - Fruits and vegetables retain vitamins and stay fresh for longer.

#### Freezer Compartment

- Freezer: 2 transparent drawers with telescopic rails
- Ice cube tray

#### Dimensions

- Dimensions ( H x W x D): 1830 mm x 905 mm x 731 mm

#### Technical Information

- 4 wheels for easier transport, 3 of them height adjustable.
- Voltage 220 - 240 V

#### Accessories

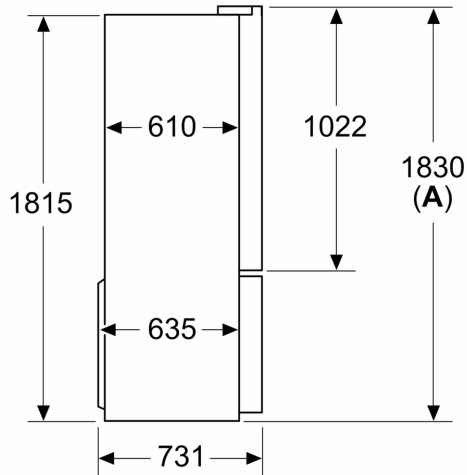
- 3 x egg tray, 1 x ice cube tray

#### Comfort

- LED interior light lighting
- To achieve the declared energy consumption, the attached distanceholders have to be used. As a result, the appliance depth increases by about 3.5 cm. The appliance used without the distance holder is fully functional, but has a slightly higher energy consumption.

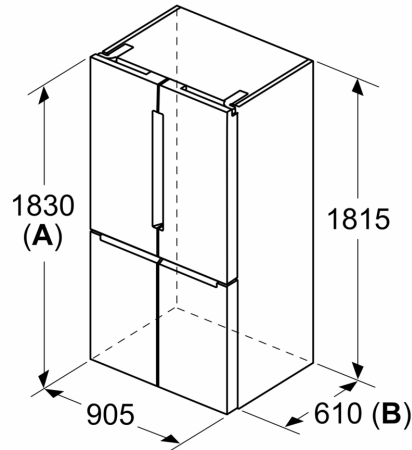
**Series 4, French Door Bottom  
freezer, multi door, 183 x 90.5 cm,  
Stainless steel (with anti-fingerprint)  
KFN96VPEAA**

measurements in mm



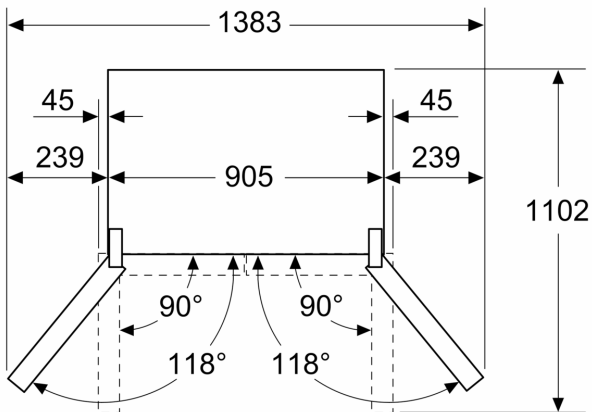
**A:** Front is adjustable from 1830 to 1847, with front levelling feet fully extended

measurements in mm

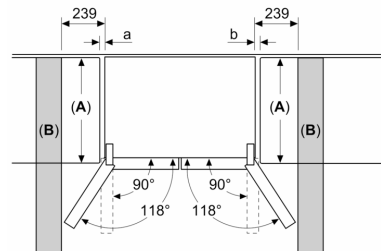


**A:** Front is adjustable from 1830 to 1847, with front levelling feet fully extended  
**B:** Add 25 for fixed spacers on back

Measurements in mm



Measurements in mm



A	a	b
≤ 600	0	0
600 < A ≤ 650	45	45
650 < A ≤ 700	60	60
> 700	239	239

**A:** Kitchen cabinet or worktop depth

**B:** Wall  
Drawers can be pulled and taken out with door open to 90°