

Series 6, French Door Bottom freezer, multi door, 183 x 90.5 cm, Stainless steel (with anti-fingerprint) KFN96APEAA



The NoFrost bottomfreezer with VitaFresh plus: Keeps your fresh foods fresh and vitamin-rich longer.

- **VitaFresh XXL Pro 0°C:** climate-controlled compartments lock in freshness and nutrients for longer.
- **Metal backwall with MultiAirflow:** evenly circulates cool, fresh air to maintain consistent temperatures.
- **NoFrost:** you'll never have to defrost your fridge-freezer again.
- **XXL capacity:** extra space to store more food items due to the slightly wider build.
- **LED light:** illuminates the refrigerator evenly without glare.

Energy Efficiency Class:	E
Annual energy consumption AU:	395 kWh
Freezer Net capacity:	200 l
Refrigerator Net capacity:	405 l
Airborne acoustical noise emissions:	38 dB(A) re 1 pW
Noise level class:	C
Built-in / Free-standing:	Free-standing
Door panel options:	Not possible
Height:	1830 mm
Width of the appliance:	905 mm
Depth of the product:	731 mm
Net weight:	118.3 kg
Fuse protection:	10 A
Door hinge:	left and right
Voltage:	220-240 V
Frequency:	50 Hz
Length electrical supply cord:	240.0 cm
Storage Period in Event of Power Failure (h):	15 h
Number of compressors:	1
Number of independent cooling systems:	1
Interior ventilator:	Yes
Reversible Door Hinge:	No
Number of Adjustable Shelves in fridge compartment:	3
Shelves for Bottles:	No
Frost free system:	Fridge and freezer
Installation typology:	Free-standing
Type of hinge:	Flush-folding
Annual energy consumption AU:	395 kWh



Series 6, French Door Bottom freezer, multi door, 183 x 90.5 cm, Stainless steel (with anti-fingerprint) KFN96APEAA

The NoFrost bottomfreezer with VitaFresh plus: Keeps your fresh foods fresh and vitamin-rich longer.

- FrostFree, No Frost, French door fridge freezer
- Freestanding Freezer with Stainless steel doors with EasyClean finish

Performance & Consumption

- MultiAirflow system - Minimises fluctuating temperatures by ensuring optimal and uniform air circulation in the fridge
- Total Volume : 605 l
- Net Fridge Volume : 405 l
- Net Freezer Volume : 200 l
- Freezing capacity 24h: 13 kg
- Annual Energy Consumption: 395 kWh (4.5 Star Energy Rating. When tested in accordance with AS/NZS IEC 62552-3. Actual energy use and running costs will depend on how you use the appliance.)
- Climate Class: SN-T
- Fast Freeze
- Noise Level : 38 dB

Finish

- Stainless steel doors with EasyClean finish doors and Metallic chrome side panels

Design

- Classic door, Door Stainless steel doors with EasyClean finish, side panels Metallic chrome
- LED interior light in fridge section
- Metal backwall
- Interior design with metal trims

Convenience & Safety

- Remote Monitoring and Control with Home Connect
- 7 segment electronic control
- SuperCooling Function - Automatically brings down the temperature of the refrigerator to cool new groceries rapidly
- Automatic defrost in fridge section
- Child lock
- acoustic for Fridge and Freeze, Optical warning system Door open
- Acoustic Warning System, Optical Warning System by Temperatur increase

Shelving & Compartments

- FrostFree MultiAirflow system
- 4 safety glass shelves of which 3 are height adjustable, Standard 2 shelves extendable
- 2 door bin(s) large, 2 door bin(s) small
- LED interior light lighting
- Egg rack
- 1 VitaFresh 0°C drawer - Fish and meat stay fresh
- 1 VitaFresh drawer on rails with humidity control - Fruits and

vegetables retain vitamins and stay fresh for longer.

Freezer Compartment

- Freezer: 2 transparent drawers with telescopic rails
- Ice cube tray

Dimensions

- Dimensions (H x W x D): 1830 mm x 905 mm x 731 mm

Technical Information

- 4 wheels for easier transport, 3 of them height adjustable.
- Voltage 220 - 240 V

Accessories

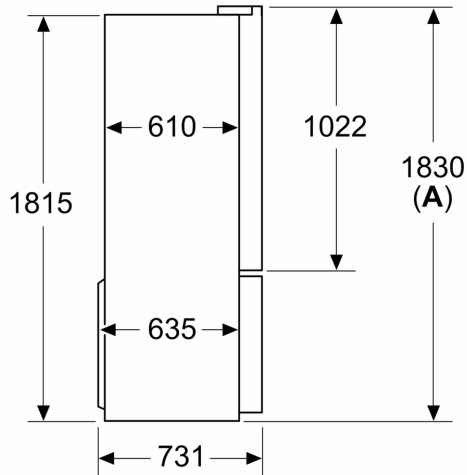
- 3 x egg tray, 1 x ice cube tray

Comfort

- To achieve the declared energy consumption, the attached distanceholders have to be used. As a result, the appliance depth increases by about 3.5 cm. The appliance used without the distance holder is fully functional, but has a slightly higher energy consumption.

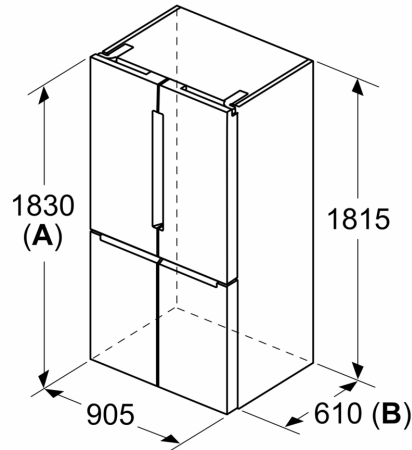
**Series 6, French Door Bottom
freezer, multi door, 183 x 90.5 cm,
Stainless steel (with anti-fingerprint)
KFN96APEAA**

measurements in mm



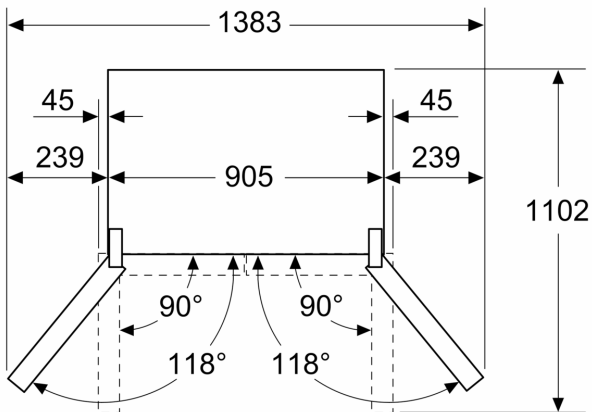
A: Front is adjustable from 1830 to 1847, with front levelling feet fully extended

measurements in mm

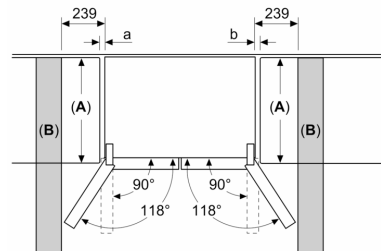


A: Front is adjustable from 1830 to 1847, with front levelling feet fully extended
B: Add 25 for fixed spacers on back

Measurements in mm



Measurements in mm



A	a	b
≤ 600	0	0
600 < A ≤ 650	45	45
650 < A ≤ 700	60	60
> 700	239	239

A: Kitchen cabinet or worktop depth

B: Wall
Drawers can be pulled and taken out with door open to 90°