

---

# IRBh 5170

---

Integratable refrigerator with  
BioFresh Professional  
△ Peak

# LIEBHERR

Fully Integrated



Fully Integrated

**LIEBHERR**

## IRBh 5170

Integratable refrigerator with  
BioFresh Professional

△ Peak

↑  
**178**  
↓



**G** Made  
in Germany



|                                       |   |
|---------------------------------------|---|
| Type                                  | Fixed door / Built-in appliance for integrated use  |
| Energy consump. in 365 days/24 h      | 106 / 0.290 kWh   |
| Volume                                | BioFresh compartment: 95.2 l  |
| Noise output                          | 32 dB(A)  |
| Climate rating                        | SN-T (+10 °C to +43 °C)   |
| Frequency / voltage                   | 50-60 Hz / 220-240 V~   |
| Connection Rating                     | 1.2 A   |
| Aperture dimensions in cm (h / w / d) | 177.2-178.8 / 56-57 / min. 55   |
| <b>Controls</b>                       |   |
| Type of Control                       | 2.4" TFT-colour display, touch- & swipe<br>Digital temperature display for fridge and BioFresh<br>compartments                        |
| Door alarm                            | visual and acoustic   |
| <b>Fridge compartment</b>             |   |
| Forced air system                     | PowerCooling with Ambilight and FreshAir activated charcoal<br>filter   |
| Door interior                         | Comfort GlassLine storage shelves with bottle holder,<br>removable VarioBoxes, adjustable egg tray                                    |
| VarioSafe                             | yes   |
| Bottle shelf                          | Integrated bottle shelf   |
| Interior light                        | LED light panel, both sides<br>LED BioFresh lighting  |
| BioFresh-Safes                        | 3 BioFresh safes with SoftTelescopic,<br>2 Fruit & Vegetable safes, of which 1 with HydroBreeze,<br>1 Meat & Dairy safe, 1 FlexSystem |
| <b>Features</b>                       |   |
| Door hinges                           | Reversible door hinging   |
| Replaceable door seal                 | yes   |
| EAN-Nr.                               | 4016803082293   |

## Features

---



### BioFresh with HydroBreeze

Do you want to cool fruit and vegetables like professionals? You'll be inspired by HydroBreeze. The cold mist combined with a temperature in the safe of just over 0 °C gives food that extra boost for longer shelf life. And it creates a genuine visual wow effect. HydroBreeze is activated every 90 minutes for 4 seconds and for 8 seconds when the door is opened.



### Fish & Seafood safe

Love fish? Your Liebherr keeps fish fresh! The Fish & Seafood Safe stores fish and seafood at the optimum temperature of -2 °C; as professionally as your fishmonger. Adjust the size of the -2 °C zone as much as you want – and store the remaining meat and dairy products at the optimum 0 °C. An LED display indicates that the -2 °C zone is currently active.



### Fruit & Vegetable safe

Crunchy salad and strawberries: the most delicate foods deserve a special place so they stay fresh longer – in BioFresh safes. In the Fruit & Vegetable safe the temperature is close to 0 °C. Combined here with the constant humidity, thanks to the air-tight closure, unpackaged fruit and vegetables feel particularly at home. You do not have to adjust anything.



### Meat & Dairy safe

Do you want the tender veal fillet or fresh milk to stay fresh for as long as possible? The BioFresh safes will ensure this is the case. In the Meat & Dairy Safe, the temperature is close to 0 °C – ideal storage conditions for even the most delicate of foods. And best of all, everything is perfectly adjusted in the factory for immediate use – and for longer freshness.



### Ambient lighting

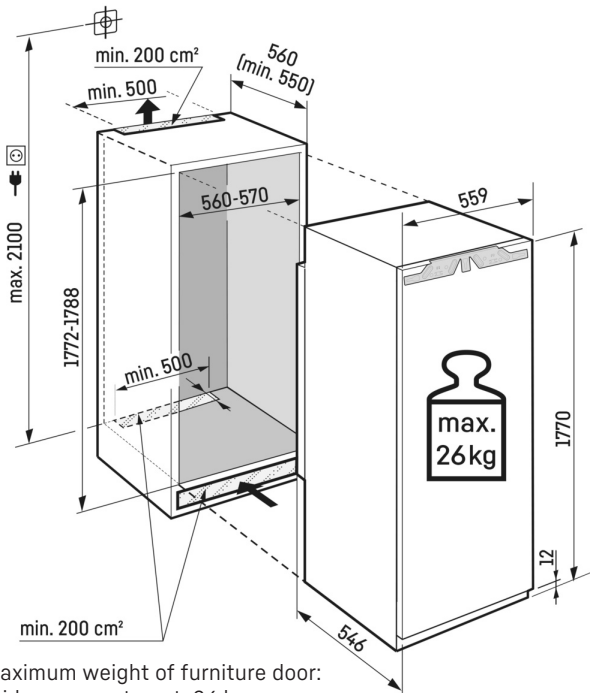
Light creates special design effects – and this includes in your refrigerator with our ambient lighting. The all-round lighting creates unique effects in the interior. And, together with the rear wall in SmartSteel design and the black high-gloss fan, it creates an atmospheric ambience.



### LightTower

Enjoy an optimally illuminated interior: the LightTower shows off the food in its best light and is positioned so that all of your filled fridge is illuminated at all times. The flush mounting of the LightTower in the side walls means there is also more space for your food.

# Technical drawing



Maximum weight of furniture door:  
Fridge compartment: 26 kg

Products and their details are staged for advertising purposes. Whilst every effort is made to ensure all specifications and information in this flyer are accurate, Liebherr reserves the right to make changes without notification. Where actual appliance measurements, specifications, and ratings are crucial, we recommend that the actual appliance installation instructions that accompany each appliance be checked. (05.10.2023)

