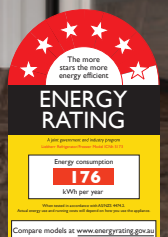


ICNh 5173

Integrated fridge-freezer with
EasyFresh and NoFrost

LIEBHERR

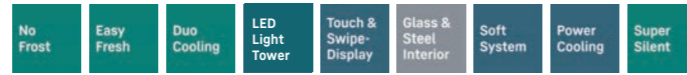
Fully Integrated



Fully Integrated

ICNh 5173

Peak



Specifications

Total Usable Volume Litres	254 litre
Fridge compartment	184 litre
Freezer compartment	70 litre
Temperature rise time	9 h
Freezing capacity in 24 hours	6 kg
Climate rating	SN-T (+10°C to +43°C)
Noise output	34 dB(A)
Frequency/voltage	50/60 Hz / 220-240 V~
Connection Rating	1.4 A 183 W

Fridge compartment

Forced air system	FreshAir activated charcoal filter with Ambilight
Interior light	LED light panel on both sides
VarioSafe	yes
Fruit and vegetable bins	1 EasyFresh-Safe on telescopic rails
GlassLine Door interior	Premium GlassLine / Removable VarioBoxes
Bottle shelf	3 bottle shelf

Freezer compartment

Defrosting	automatic
Interior light	LED
Number of drawers	3 drawers, of which 2 set on telescopic rails, VarioSpace
Cold storage accumulators	2
Ice cube tray	yes

Type of appliance

Type	Built-in for integrated use
Door assembly	Door on Door

Dimensions

Height	177.2-178.8 cm
Width	56-57 cm
Depth	min. 55 cm

Features

Interface	SmartDeviceBox: optional accessory (Anticipated arrival July 2022)
Door hinges	right, reversible
EAN-Nr.	4016803078890

Fully Integrated

Features



NoFrost

When you open your freezer, you want to see frozen food – and certainly not ice and frost. NoFrost protects the freezer compartment from unwanted icing, which consumes a lot of energy and can be expensive. NoFrost means no more tedious and time-consuming defrosting of the freezer compartment, more time for other things – and saving money.



EasyFresh

The guarantee of market freshness in the home is our EasyFresh-Safe. Whether it's unpackaged vegetables or fruit, this ensures optimal storage for everything. Thanks to the air-tight closure, the food causes the humidity in the safe to rise. This keeps the food fresh for a long time.



DuoCooling

DuoCooling uses two completely separate refrigeration circuits to ensure no air is exchanged between the fridge and freezer compartments. The food neither dries out nor is odour transferred. This means throwing less away, shopping less often, but saving more and greater enjoyment.



Ambient lighting

Light creates special design effects – and this includes in your refrigerator with our ambient lighting. The all-round lighting creates unique effects in the interior. And, together with the rear wall in SmartSteel design and the black high-gloss fan, it creates an atmospheric ambience.



LightTower

Enjoy an optimally illuminated interior: the LightTower shows off the food in its best light and is positioned so that all of your filled fridge is illuminated at all times. The flush mounting of the LightTower in the side walls means there is also more space for your food.

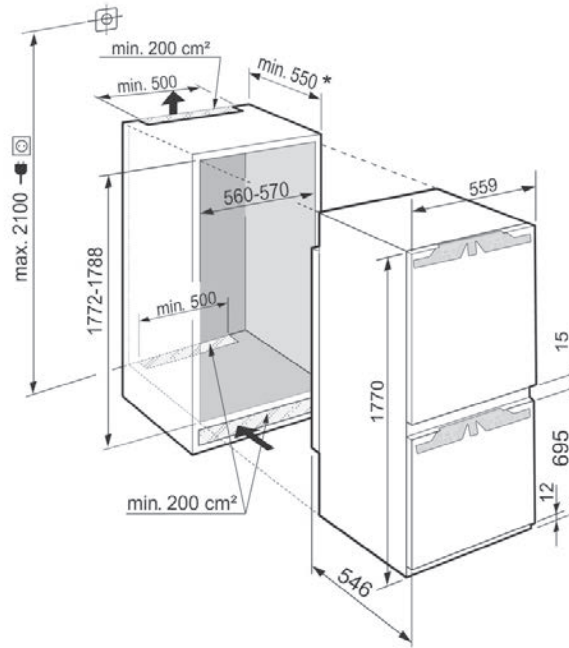


Touch & Swipe display

Control of your Liebherr at your fingertips: thanks to the Touch & Swipe display, you can operate your refrigerator intuitively and with ease. Simply select functions such as SuperCool on the colour display by tapping and swiping. The temperature is controlled just as easily. And, what if you are not actively using the display? Well, it then shows you the actual temperature.

Diagrams

Installation Diagram



* Recommended: 560 mm

Products and their details are staged for advertising purposes. Whilst every effort is made to ensure all specifications and information in this flyer are accurate, Liebherr reserves the right to make changes without notification. Where actual appliance measurements, specifications, and ratings are crucial, we recommend that the actual appliance installation instructions that accompany each appliance be checked. Liebherr will not be liable for any loss. (09.02.2022)