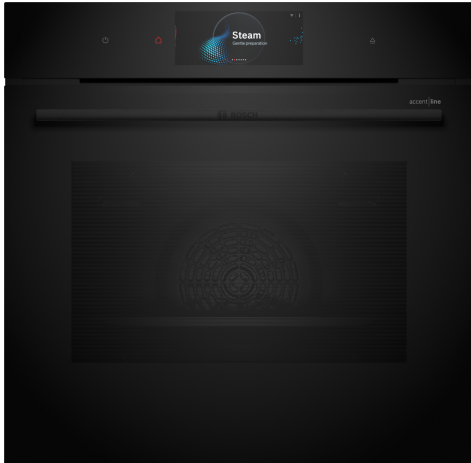


Series 8, Built-in oven with added steam function, 60 x 60 cm, Black HRG978NB1A



HEZ327000 Pizza stone, HEZ333001 Lid for professional pan, HEZ530000 Half tray, HEZ531010 Baking tray, non-stick ceramic coated, HEZ633001 Lid for professional pan, enamelled anth, HEZ633070 Professional pan, anthracite enamelled, HEZ633073 Professional pan, anthracite enamelled, HEZ634000 Baking and roasting grid (standard), HEZ635001 AirFry & Grill Set, HEZ638070 Full ext rails, level independent, pyro, HEZ660060 Strip, HEZ664000 Baking and roasting grid (steam), HEZ6BMA00 Assembly kit for vertical installation, HEZ915003 Glass roasting dish, 5,4 L, HEZ631070 Baking tray, anthracite enamelled, HEZ532010 Universal pan, non-stick ceramic coated, HEZ617000 Pizza pan, anthracite enamelled, HEZ629070 Air Fry & Grill tray, anthracite, HEZ632070 Multipurpose pan, anthracite enamelled

The built-in added steam oven with Digital Control Ring and TFT-touchdisplay. Assist function for meals: automatically prepares your dishes so they're crispy and juicy, PerfectRoast Plus, PerfectBake Plus, Home Connect for control via the App.

- **TFT Touch Display Pro:** perfect control thanks to an innovative Digital Control Ring and full-surface TFT touchscreen.
- **Air Fry Function with tray:** for perfectly fried foods, such as vegetables and chips.
- **Added Steam Function:** food turns out crispy on the outside and juicy on the inside.
- **Pyrolytic self-cleaning:** automatically cleans the oven, just wipe out the ash.
- **PerfectBake Plus:** regulates settings and tells you exactly when to remove dishes from the oven.

Color / Material Front: Black
 Built-in / Free-standing: Built-in
 Door opening: Drop down
 Cleaning : Pyrolytic+Hydrolytic
 Control Panel Material: Glass
 Door Material: Glass
 Dimensions (HxWxD): 595 x 594 x 548 mm
 Dimensions of the packed product (HxWxD): 675 x 690 x 660 mm
 Min. required niche size for installation (HxWxD): 585-595 x 560-568 x 550 mm
 Cavity dimensions: 357 x 480 x 415 mm
 Usable volume of cavity: 71 l
 Number of interior lights: 1
 Net weight: 45.6 kg
 Gross weight: 48.0 kg
 EAN code: 4242005327164
 Connection rating: 3600 W
 Fuse protection: 16 A
 Voltage: 220-240 V
 Frequency: 50; 60 Hz
 Length electrical supply cord: 120.0 cm



Series 8, Built-in oven with added steam function, 60 x 60 cm, Black HRG978NB1A

The built-in added steam oven with Digital Control Ring and TFT-touchdisplay. Assist function for meals: automatically prepares your dishes so they're crispy and juicy, PerfectRoast Plus, PerfectBake Plus, Home Connect for control via the App.

Heating Functions

- Oven with 22 heating methods: 4D HotAir, Top/bottom heating, Hot air grilling, Full width grill, Half width grill, Pizza setting, Bottom heating, Intensive heat, Slow cooking, Defrost, Preheat ovenware, Drying, Keep warm, Hotair gentle, Conventional heat gentle, AirFry, Reheating, Dough Proving, hotair grilling + steam, keep warm + steam, 4D hotAir + steam, Top/bottom heat + steam
- Temperature range 30 °C - 300 °C
- Cavity volume: 71 net usable litres

Hook-in racks / rails

- Number of shelf levels: 5
- 1 set of level independent telescopic rails (Clip-on rail), pyrolytic proof, fully extendable, safety stop function

Design

- Carbon Black Design
- Anthracite enamel cavity with 5 shelf positions
- Touch control
- Digital Control Ring

Cleaning

- Pyrolytic self-cleaning function
- Cleaning Assistance (HydroClean program)

Convenience

- TFT-touchdisplay Pro
- Automatic temperature proposal, Residual heat indicator, Actual temperature display, Meat probe function
- Air Fry Function
- There are different steam intensities selectable: steam level high, steam level middle, steam level low
- Steam Boost - add for 3min intensive steam with a touch of a button.
- PerfectRoast Plus
- PerfectBake plus
- Crisp Finish
- Bosch Assist - a menu of dishes for automatic cooking
- HomeConnect
- Oven Assistant with Voice Control
- Automatic rapid heat function
- Drop down door
- Oven door with SoftOpen and SoftClose
- Integrated cooling fan
- LED lighting
- Electronic clock/timer with end time programming
- Water tank empty indicator

- Location of the steam generator is outside of the cavity

Accessories

- 1 x Air Fry & Grill tray, 2 x combination grid, 1 x universal pan

Safety and Environment

- Electronic door lock, Child lock, Automatic safety switch off function, Residual heat indicator, Start button, Door contact switch
- Quadruple glazed CoolTouch door
- Low door temperature during pyrolytic cleaning
- Full glass inner door

Technical Info

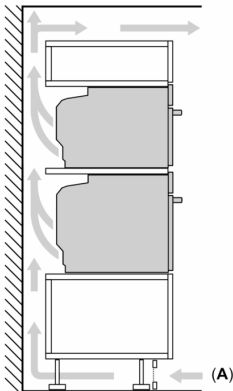
- Length of mains cable: 120 cm
- Nominal voltage: 220 - 240 V
- Total connected load electric: 3.6 KW

Dimensions

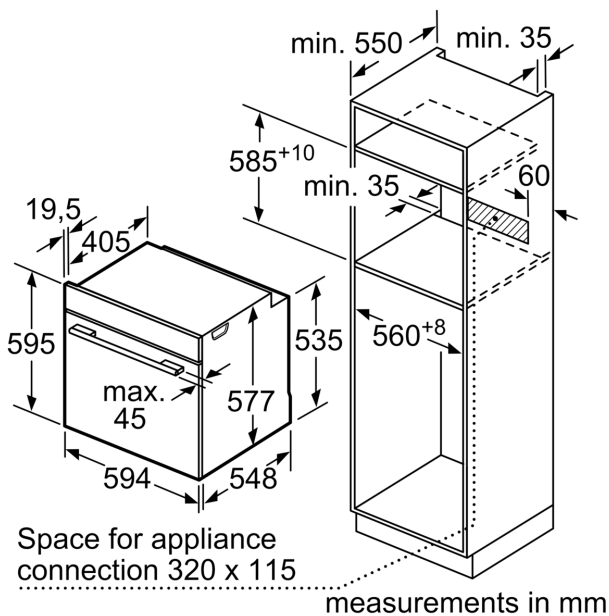
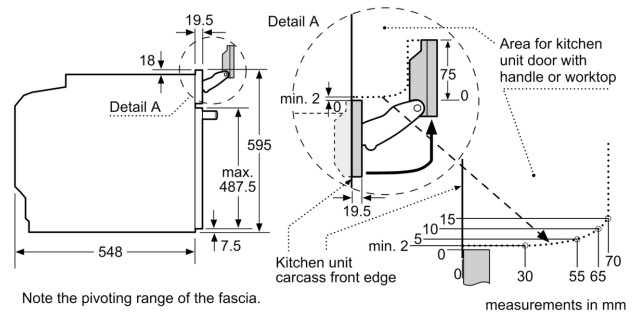
- Appliance dimensions (HxWxD): 595 mm x 594 mm x 548 mm
- Installation dimensions (HxWxD): 585 mm - 595 mm x 560 mm - 568 mm x 550 mm
- Please reference the built-in dimensions provided in the installation drawing

Series 8, Built-in oven with added steam function, 60 x 60 cm, Black HRG978NB1A

Installing two appliances on top of each other
Air exchange



A: Air inlet $\geq 200 \text{ cm}^2$



If the appliance will be installed underneath a hob, the following worktop thicknesses (including substructure if necessary) must be taken into account.

Hob type	min. worktop thickness	
	fitted	flush
Induction hob	37 mm	38 mm
Full surface Induction hob	47 mm	48 mm
Gas hob	30 mm	38 mm
Electric hob	27 mm	30 mm

