

**Serie | 4, Built-in oven with added steam function, 60 x 60 cm, Black HRA574EB0A**



**Included accessories**

- 1 x grill tray
- 2 x combination grid
- 1 x universal pan

**Optional accessories**

- HEZ327000 : Pizza stone
- HEZ530000 : Half tray
- HEZ531010 : Baking tray, non-stick ceramic coated
- HEZ538000 : 1fold telescopic rail, level independent
- HEZ538200 : 2 level telescopic shelf rails
- HEZ625071 : Grill tray, anthracite enamelled
- HEZ633001 : Lid for professional pan, enamelled anth
- HEZ634000 : Baking and roasting grid (standard)

**The Built-in Oven with HotAir Steam function: achieve delicious baking and roasting results.**

- **Pyrolytic self-cleaning:** effortless cleaning thanks to pyrolytic cleaning programs.
- **Hotair steam:** as heat and humidity are distributed equally in the oven interior food turn out crispy on the outside and juicy on the inside.
- **3D Hotair:** even heat distribution for perfect results on up to three levels.
- **AutoPilot 10:** every dish is a perfect success thanks to 10 pre-set automatic programs.
- **1-level telescopic rail:** for safe, easy insertion and removal of baking trays.

**Technical Data**

Color / Material Front : Black  
 Built-in / Free-standing : Built-in  
 Cleaning : Pyrolytic+Hydrolytic  
 Required niche size for installation (HxWxD) : 585-595 x 560-568 x 550 mm  
 Dimensions (HxWxD) : 595 x 594 x 548 mm  
 Dimensions of the packed product (HxWxD) : 675 x 690 x 660 mm  
 Control Panel Material : Glass  
 Door Material : Glass  
 Net weight : 36.8 kg  
 Usable volume of cavity : 71 l  
 Heating functions : Bottom heat, Conventional heat, Full width grill, Hot Air, Hot air gentle, Hot Air grilling, Pizza setting  
 First cavity material : Other  
 Oven control : electronic  
 Number of interior lights : 1  
 Approval certificates : CE, VDE  
 Length electrical supply cord : 120 cm  
 EAN code : 4242005293995  
 Number of cavities (2010/30/EC) : 1  
 Energy efficiency rating : A  
 Energy consumption per cycle conventional (2010/30/EC) : 0.99 kWh/cycle  
 Energy consumption per cycle forced air convection (2010/30/EC) : 0.81 kWh/cycle  
 Energy efficiency index (2010/30/EC) : 95.3 %  
 Connection Rating : 3600 W  
 Fuse protection : 16 A  
 Voltage : 220-240 V  
 Frequency : 50; 60 Hz  
 Plug type : no plug



## **Serie | 4, Built-in oven with added steam function, 60 x 60 cm, Black HRA574EB0A**

### **The Built-in Oven with HotAir Steam function: achieve delicious baking and roasting results.**

#### **Heating Functions**

- 8 heating methods: 3D Hotair, Top/bottom heating, Hot air grilling, Full width grill, Pizza setting, Bottom heating, Hotair gentle
- Temperature range 50 °C - 275 °C
- Cavity volume: 71 net usable litres

#### **Hook-in racks / rails**

- Number of shelf levels: 5 PC
- Telescopic rails: 1 level telescopic rail, safety stop function

#### **Design**

- Rotary control knobs, Retractable control knobs
- Extra large capacity oven with grey enamel

#### **Cleaning**

- Pyrolytic self-cleaning function
- Cleaning Assistance - cleaning option for light soiling
- Full glass inner door

#### **Convenience**

- Water bowl with a volume of 250 ml
- LED-display control (red)
- Electronic clock/timer with end time programming
- Automatic start  
Actual temperature display
- AutoPilot, 10 automatic programs
- Bar handle
- Automatic programs
- Rapid heating-up: manual
- Halogen lighting
- Cooling fan

#### **Accessories**

- 2 x combination grid, 1 x grill tray, 1 x universal pan

#### **Safety and Environment**

- Maximum door temperature 30° C
- Low door temperature during pyrolytic cleaning
- Electronic door lock  
Child lock function  
Automatic safety switch off function

#### **Technical Info**

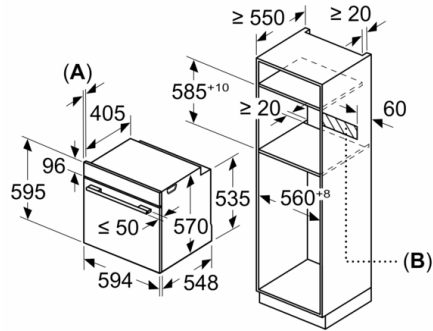
- Length of mains cable: 120 cm
- Nominal voltage: 220 - 240 V
- Total connected load electric: 3.6 KW

#### **Dimensions**

- Appliance dimensions (HxWxD): 595 mm x 594 mm x 548 mm
- Installation dimensions (HxWxD): 585 mm - 595 mm x 560 mm - 568 mm x 550 mm
- Please reference the built-in dimensions provided in the installation drawing

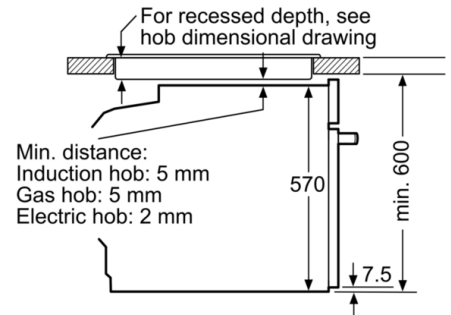
**Serie | 4, Built-in oven with added steam function, 60 x 60 cm, Black  
HRA574EB0A**

Measurements in mm

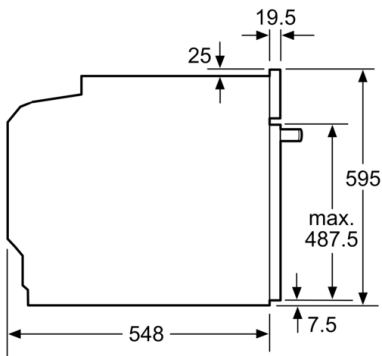


**A:** 19.5 mm  
**B:** Space for appliance connection 320 x 115 mm

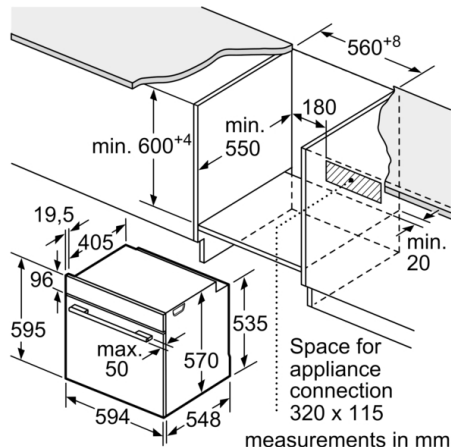
Installation with a hob.



measurements in mm



measurements in mm



measurements in mm