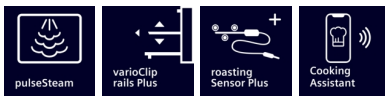


## iQ700, Built-in oven with added steam function, 60 x 60 cm, Black HR976GMB1A



The intelligent oven with Cooking Assistant for intuitive programme setting, activeClean for less effort in oven cleaning and roastingSensor Plus for excellent results.

- ✓ activeClean® – The automatic, self-cleaning oven system for less efforts in oven cleaning.
- ✓ pulseSteam: for crispy crusts and juicy roasts.
- ✓ varioClip rails Plus – Flexible cooking, baking and steam cooking on every level.
- ✓ roastingSensor Plus – Perfect roasting results.
- ✓ Cooking Assistant – Intuitively set the right programme.

### Features

#### Technical Data

Color / Material Front : Black  
 Built-in / Free-standing : Built-in  
 Door opening : Drop down  
 Cleaning : Pyrolytic+Hydrolytic  
 Control Panel Material : Glass  
 Door Material : Glass  
 Dimensions (HxWxD) : 595x594x548 mm  
 Dimensions of the packed product (HxWxD) : 675x660x690 mm  
 Required niche size for installation (HxWxD) : 585-595 x 560-568 x 550 mm  
 Cavity dimensions : 357 x 480 x 415 mm  
 Usable volume of cavity : 71 l  
 Net weight : 41.9 kg  
 Gross weight : 44.4 kg  
 EAN code : 4242003902486  
 Connection Rating : 3600 W  
 Fuse protection : 16 A  
 Voltage : 220-240 V  
 Frequency : 50; 60 Hz  
 Length electrical supply cord : 120 cm



#### Included accessories

- 2 x combination grid
- 1 x universal pan
- 1 x air fry & grill tray

#### Optional accessories

- HZ6BMA00 Assembly kit for vertical installation
- HZ638070 Full ext rails, level independent, pyro
- HZ631070 Baking tray, anthracite enamelled
- HZ629070 Air Fry & Grill tray
- HZ327000 Baking stone

## iQ700, Built-in oven with added steam function, 60 x 60 cm, Black HR976GMB1A

### Features

#### Heating Functions

- Oven with 20 heating methods: 4D hotAir, Top/ bottom heating, Hot air grilling, Full width grill, Half width grill, Pizza setting, coolStart (deep-frozen food special), Bottom heating, Low temperature cooking, Plate warming setting, Keep Warm, hotAir gentle, Conventional heat gentle, Air fry, Reheating, Dough Proving, hotair grilling + steam, keep warm + steam, 4D hotAir + steam, Top/bottom heat + steam
- Temperature range 30 °C - 300 °C

#### Racks and Rails

- Number of shelf levels: 5
- varioClip rails Plus, pyrolytic proof, full extension, with Stop function

#### Design

- studioLine Black Steel Design
- studioLine Glass handle
- TFT-Touchdisplay Plus
- Touch control
- Cavity inner surface: enamel
- Cavity volume: 71 net usable litres

#### Cleaning

- activeClean® – automatic pyrolytic self-cleaning function with automatic safety door lock
- humidClean Plus program - easy cleaning of a lightly soiled cooking cavity

#### Convenience

- Temperature proposal, Residual heat indicator, Actual temperature display, Meat probe function
- There are different steam intensities selectable: steam level high, steam level middle, steam level low
- steamBoost - add for 3min intensive steam with a touch of a button.
- roastingSensor Plus multipoint meat probe
- cookControl Pro
- HomeConnect
- Cooking Assistant
- coolStart - eliminates preheating for frozen foods
- Automatic rapid heat up
- Oven door with SoftOpen and SoftClose door
- Integrated cooling fan
- LED light
- Electronic clock and timer
- Water tank empty indicator
- Location of the steam generator is outside of the cavity

#### Accessories

- 1 x air fry & grill tray, 2 x combination grid, 1 x universal pan

#### Safety Features

- Automatic door lock during pyrolysis, Child lock, Automatic safety switch-off function, Residual heat indicator, Start button, Door contact switch
- Quadruple glazed door with heat reflective glass
- Low door temperature during pyrolytic cleaning
- Full glass inner door

#### Technical Information

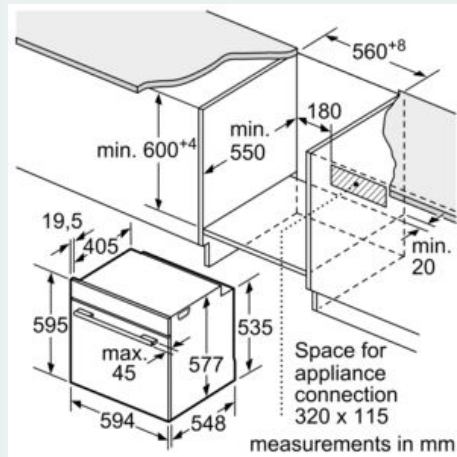
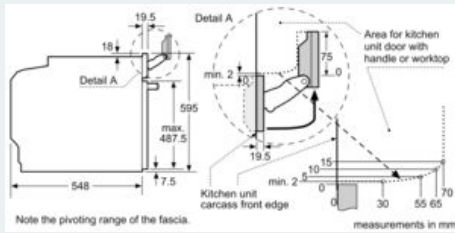
- Length of mains cable: 120 cm
- Nominal voltage: 220 - 240 V
- Total connected load electric: 3.6 KW

#### Dimensions

- Appliance dimensions (HxWxD): 595 mm x 594 mm x 548 mm
- Installation dimensions (HxWxD): 585 mm - 595 mm x 560 mm - 568 mm x 550 mm
- Please reference the built-in dimensions provided in the installation drawing
- Energy efficiency rating (acc. EU Nr. 65/2014): A+(at a range of energy efficiency classes from A+++ to D)
- Energy consumption per cycle in conventional mode: 0.87 kWh
- Energy consumption per cycle in fan-forced convection mode: 0.69 kWh
- Number of cavities: 1
- Heat source: electrical
- Cavity volume: 71 net usable litres
-

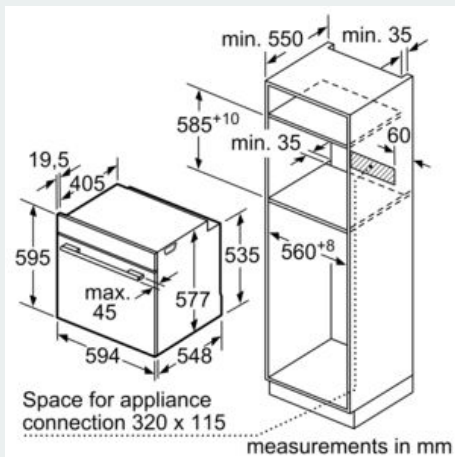
## iQ700, Built-in oven with added steam function, 60 x 60 cm, Black HR976GMB1A

### Dimensioned drawings

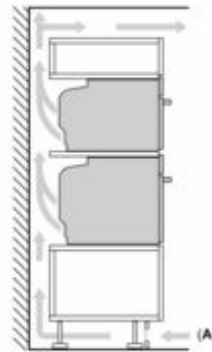


If the appliance will be installed underneath a hob, the following worktop thicknesses (including substructure if necessary) must be taken into account.

| Hob type                   | min. worktop thickness |       |
|----------------------------|------------------------|-------|
|                            | fitted                 | flush |
| Induction hob              | 37 mm                  | 38 mm |
| Full surface Induction hob | 47 mm                  | 48 mm |
| Gas hob                    | 30 mm                  | 38 mm |
| Electric hob               | 27 mm                  | 30 mm |



Installing two appliances on top of each other  
Air exchange



A: Air inlet  $\geq 200 \text{ cm}^2$