

Series 8, Built-in oven with added steam and microwave function, 60 x 60 cm, Black HNG978QB1A



The built-in microwave oven with Digital Control Ring and TFT-touchdisplay, PerfectBake Plus, PerfectRoast Plus, integrated camera and added steam, Home Connect for control via the App.

- **TFT Touch Display Pro:** perfect control thanks to an innovative Digital Control Ring and full-surface TFT touchscreen.
- **Air Fry Function with tray:** for perfectly fried foods, such as vegetables and chips.
- **Individual Browning with camera:** perfect baking and roasting results every time.
- **Microwave Boost Function:** quick and easy warming.
- **Added Steam Function:** food turns out crispy on the outside and juicy on the inside.

HEZ531010 Baking tray, non-stick ceramic coated, HEZ532010 Universal pan, non-stick ceramic coated, HEZ617000 Pizza pan, anthracite enamelled, HEZ629070 Air Fry & Grill tray, anthracite, HEZ631070 Baking tray, anthracite enamelled, HEZ632070 Multipurpose pan, anthracite enamelled, HEZ633001 Lid for professional pan, enamelled anth, HEZ633070 Professional pan, anthracite enamelled, HEZ633073 Professional pan, anthracite enamelled, HEZ634000 Baking and roasting grid (standard), HEZ635001 AirFry & Grill Set, HEZ636000 Glass pan, HEZ660060 Strip, HEZ664000 Baking and roasting grid (steam), HEZ6BMA00 Assembly kit for vertical installation, HEZ915003 Glass roasting dish, 5,4 L, HEZ327000 Pizza stone, HEZ333001 Lid for professional pan

Additional function: Microwave combination
 Color / Material Front: Black
 Built-in / Free-standing: Built-in
 Door opening: Handle
 Colour.Material door: Black
 Cleaning : Pyrolytic+Hydrolytic
 Control Panel Material: Glass
 Dimensions (HxWxD): 595 x 594 x 548 mm
 Dimensions of the packed product (HxWxD): 670 x 680 x 670 mm
 Min. required niche size for installation (HxWxD): 585-595 x 560-568 x 550 mm
 Cavity dimensions: 357.0 x 480 x 392.0 mm
 Cavity capacity: 67 l
 Max. microwave power level: 800 W
 Number of interior lights:2
 Net weight: 49.6 kg
 Gross weight: 52.8 kg
 EAN code: 4242005327058
 Connection rating: 3600 W
 Fuse protection:16 A
 Voltage: 220-240 V
 Frequency: 50; 60 Hz
 Length electrical supply cord: 120.0 cm



Series 8, Built-in oven with added steam and microwave function, 60 x 60 cm, Black HNG978QB1A

The built-in microwave oven with Digital Control Ring and TFT-touchdisplay, PerfectBake Plus, PerfectRoast Plus, integrated camera and added steam, Home Connect for control via the App.

Heating Functions

- Oven with microwave with 28 heating methods: 4D HotAir, Top/bottom heating, Hot air grilling, Full width grill, Half width grill, Pizza setting, Bottom heating, Intensive heat, Slow cooking, Defrost, Preheat ovenware, Drying, Keep warm, Hotair gentle, Conventional heat gentle, AirFry, Reheating, Dough Proving, Pure microwave, hotair grilling + steam, keep warm + steam, 4D hotAir + steam, Top/bottom heat + steam , 4D hotair + microwave, Top/bottom heat + microwave, grill + microwave, half width grill + microwave, hotair grilling + microwave
- Max. Power: 800 W; 5 Microwave power settings (90 W,180 W,360 W,600 W, boost) with Inverter (MW)
- Intelligent inverter technology: maximum output power will be regulated to 600 W when used in longer operation
- Temperature range 30 °C - 300 °C
- Cavity volume: 67 net usable litres

Hook-in racks / rails

- Number of shelf levels: 5
- 1 level telescopic rail, pyrolytic proof

Design

- Carbon Black Design
- Anthracite enamel cavity with 5 shelf positions
- Touch control
- Digital Control Ring

Cleaning

- Pyrolytic self-cleaning function
- Cleaning Assistance (HydroClean program)

Convenience

- TFT-touchdisplay Pro
- Automatic temperature proposal, Residual heat indicator, Actual temperature display, Meat probe function
- Air Fry Function
- AI Browning Detection with integrated camera
- There are different steam intensities selectable: steam level high, steam level middle, steam level low
- Steam Boost - add for 3min intensive steam with a touch of a button.
- PerfectRoast Plus
- PerfectBake plus
- Crisp Finish
- Bosch Assist - a menu of dishes for automatic cooking
- HomeConnect
- Oven Assistant with Voice Control
- Automatic rapid heat function

- Drop down door
- Oven door with SoftOpen and SoftClose
- Integrated cooling fan
- Dual LED illumination
- Electronic clock/timer with end time programming
- Water tank empty indicator
- Location of the steam generator is outside of the cavity

Accessories

- 1 x Air-Fry grid, 2 x combination grid, 1 x universal pan

Safety and Environment

- Electronic door lock, Child lock, Automatic safety switch off function, Residual heat indicator, Start button, Door contact switch
- Quadruple glazed CoolTouch door

Technical Info

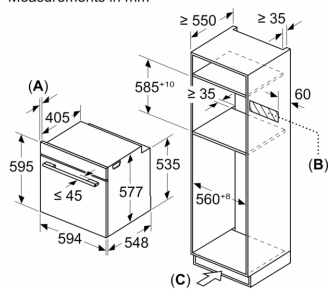
- Length of mains cable: 120 cm
- Nominal voltage: 220 - 240 V
- Total connected load electric: 3.6 KW

Dimensions

- Appliance dimensions (HxWxD): 595 mm x 594 mm x 548 mm
- Installation dimensions (HxWxD): 585 mm - 595 mm x 560 mm - 568 mm x 550 mm
- Please reference the built-in dimensions provided in the installation drawing

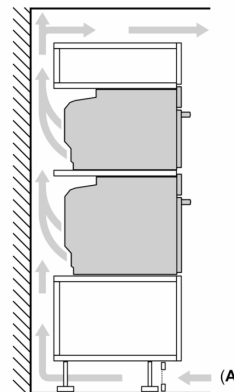
Series 8, Built-in oven with added steam and microwave function, 60 x 60 cm, Black HNG978QB1A

Measurements in mm

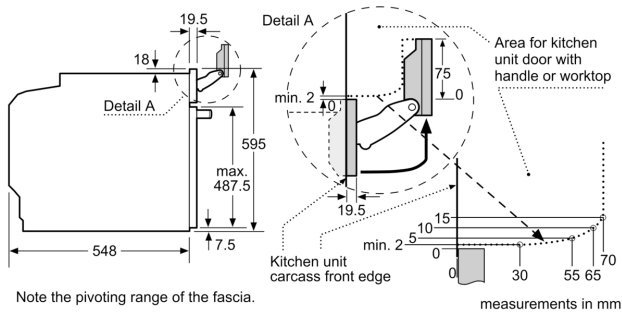


- A: 19.5 mm
- B: Space for appliance connection 320 x 115 mm
- C: Ventilation space in the base $\geq 200 \text{ cm}^2$

Installing two appliances on top of each other
Air exchange



A: Air inlet $\geq 200 \text{ cm}^2$



Note the pivoting range of the fascia.

measurements in mm

If the appliance will be installed underneath a hob, the following worktop thicknesses (including substructure if necessary) must be taken into account.

Hob type	min. worktop thickness	
	fitted	flush
Induction hob	37 mm	38 mm
Full surface Induction hob	47 mm	48 mm
Gas hob	30 mm	38 mm
Electric hob	27 mm	30 mm

