

iQ700, Built-in oven with added steam and microwave function, 60 x 60 cm, Black HN978GQB1B



The intelligent varioSpeed microwave oven with Individual Browning and camera, food recognition and activeClean for less effort in oven cleaning.

- ✓ Individual Browning with camera – for consistently perfect browning results.
- ✓ TFT-Touchdisplay Pro – Large colour touch display for comfortable operation.
- ✓ cookControl Pro – Excellent results, whatever the recipe or circumstances.
- ✓ activeClean® – The automatic, self-cleaning oven system for less efforts in oven cleaning.
- ✓ varioSpeed – Prepare excellent dishes up to 50% faster.

Features

Technical Data

Type of micro-wave oven : MW-Combi
 Color / Material Front : Black
 Built-in / Free-standing : Built-in
 Cleaning : Pyrolytic+Hydrolytic
 Control Panel Material : Glass
 Door colour : Black
 Dimensions (HxWxD) : 595x594x548 mm
 Dimensions of the packed product (HxWxD) : 670x670x680 mm
 Required niche size for installation (HxWxD) : 585-595 x 560-568 x 550 mm
 Cavity dimensions : 357 x 480 x 392 mm
 Cavity capacity : 67 l
 Maximum micro-wave power : 800 W
 Number of interior lights : 2
 Net weight : 47.1 kg
 Gross weight : 50.4 kg
 EAN code : 4242003902400
 Connection Rating : 3600 W
 Fuse protection : 16 A
 Voltage : 220-240 V
 Frequency : 50; 60 Hz
 Length electrical supply cord : 120 cm

Included accessories

- 2 x combination grid
- 1 x universal pan

Optional accessories

- HZ6BMA00 Assembly kit for vertical installation
- HZ631070 Baking tray, anthracite enamelled
- HZ629070 Air Fry & Grill tray
- HZ327000 Baking stone



iQ700, Built-in oven with added steam and microwave function, 60 x 60 cm, Black HN978GQB1B

Features

Heating Functions

- Oven with microwave with 28 heating methods: 4D hotAir, Top/bottom heating, Hot air grilling, Full width grill, Half width grill, Pizza setting, coolStart (deep-frozen food special), Bottom heating, Intensive heat, Low temperature cooking, Plate warming setting, Drying, Keep Warm, hotAir gentle, Conventional heat gentle, Air fry, Reheating, Dough Proving, Pure microwave, hotair grilling + steam, keep warm + steam, 4D hotAir + steam, Top/bottom heat + steam, 4D hotair + microwave, Top/bottom heat + microwave, grill + microwave, half width grill + microwave, hotair grilling + microwave
- Heating methods only via Home Connect App: let rest, preheating
- Max. Power: 800 W; 5 Microwave power settings (90 W, 180 W, 360 W, 600 W, boost) with Inverter (MW)
- Intelligent inverter technology: maximum output power will be regulated to 600 W when used in longer operation
- Temperature range 30 °C - 300 °C
- Cavity volume: 67 net usable litres

Racks and Rails

- Number of shelf levels: 5
- 1 level telescopic shelf, pyrolytic proof

Design

- studioLine Black Steel Design
- Touch control
- studioLine Glass handle
- Cavity inner surface: enamel

Cleaning

- activeClean® – automatic pyrolytic self-cleaning function with automatic safety door lock
- humidClean Plus program - easy cleaning of a lightly soiled cooking cavity

Convenience

- Cooking Assistant
- TFT-Touchdisplay Pro
- Electronic clock and timer
- Temperature proposal, Residual heat indicator, Actual temperature display, Meat probe function
- Drop down door
- Oven door with SoftOpen and SoftClose door
- cookControl Pro
- Individual Browning - AI browning detection with integrated camera
- roastingSensor Plus multipoint meat probe
- bakingSensor Plus
- Automatic rapid heat up
- coolStart - eliminates preheating for frozen foods
- steamBoost - add for 3min intensive steam with a touch of a button.
- There are different steam intensities selectable: steam level high, steam level middle, steam level low
- LED light
- dualLED illumination
- Water tank empty indicator
- Location of the steam generator is outside of the cavity
- Integrated cooling fan

- HomeConnect

Accessories

- 2 x combination grid, 1 x universal pan

Safety Features

- Maximum door temperature 30° C
- Quadruple glazed door with heat reflective glass
- Automatic door lock during pyrolysis, Child lock, Automatic safety switch-off function, Residual heat indicator, Start button, Door contact switch

Technical Information

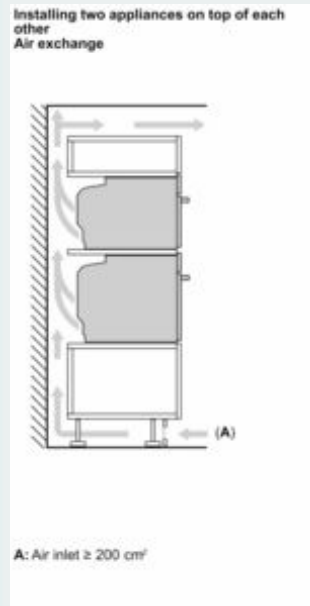
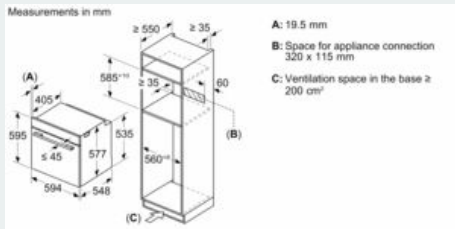
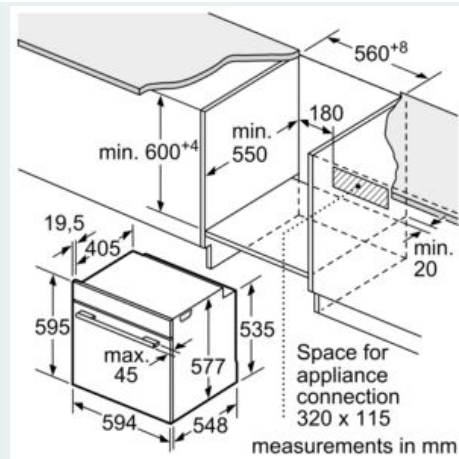
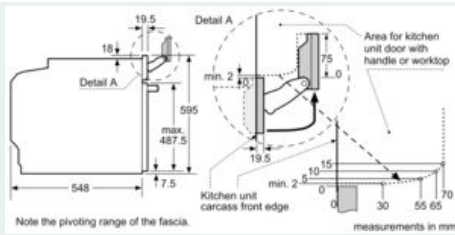
- Length of mains cable: 120 cm
- Nominal voltage: 220 - 240 V
- Total connected load electric: 3.6 KW

Dimensions

- Appliance dimensions (HxWxD): 595 mm x 594 mm x 548 mm
- Installation dimensions (HxWxD): 585 mm - 595 mm x 560 mm - 568 mm x 550 mm
- Please reference the built-in dimensions provided in the installation drawing

**iQ700, Built-in oven with added steam and microwave function, 60 x 60 cm,
Black
HN978GQB1B**

Dimensioned drawings



If the appliance will be installed underneath a hob, the following worktop thicknesses (including substructure if necessary) must be taken into account.

Hob type	min. worktop thickness	
	fitted	flush
Induction hob	37 mm	38 mm
Full surface Induction hob	47 mm	48 mm
Gas hob	30 mm	38 mm
Electric hob	27 mm	30 mm