

**Series 6, Built-in oven, 60 x 60 cm,
Stainless steel
HBT578FS2A**



HEZ327000 Pizza stone, HEZ32WA00 Wireless food thermometer, HEZ530000 Half tray, HEZ531010 Baking tray, non-stick ceramic coated, HEZ532010 Universal pan, non-stick ceramic coated, HEZ538000 1fold telescopic rail, level independent, HEZ617000 Pizza pan, enamelled, HEZ629070 Air Fry & Grill tray, HEZ631070 Baking tray, enamelled, HEZ632070 Multipurpose pan, enamelled, HEZ633001 Lid for professional pan, enamelled, HEZ633070 Professional pan, enamelled, HEZ634000 Baking and roasting grid (standard), HEZ636000 Glass pan, HEZ638000 Full ext rails, level independent, HEZ660050 Cover Strip, HEZ664000 Baking and roasting grid (steam), HEZ915003 Glass roasting dish, 5,4 L

**The built-in oven with meat probe and
AutoPilot: automatically prepares your
dishes to perfection.**

- **Meat probe:** measures the optimal core temperature of your roast.
- **AutoPilot 30:** every dish is a perfect success thanks to 30 pre-set automatic programmes.
- **Pyrolytic self-cleaning:** Automatically cleans the oven, just wipe out the ash.
- **1-level telescopic rail:** for safe, easy insertion and removal of baking trays.
- **Slim Universal Pans (half trays):** 2 universal pans, slim size; optimised for smaller dishes

Color / Material Front: Stainless steel
 Built-in / Free-standing: Built-in
 Door opening: Drop down
 Cleaning : Pyrolytic+Hydrolytic
 Control Panel Material: Stainless steel
 Door Material: Glass
 Dimensions (HxWxD): 595 x 594 x 548 mm
 Dimensions of the packed product (HxWxD): 675 x 660 x 690 mm
 Min. required niche size for installation (HxWxD): 585-595 x 560-568 x 550 mm
 Cavity dimensions: 357 x 480 x 415 mm
 Usable volume of cavity: 71 l
 Number of interior lights: 1
 Net weight: 40.1 kg
 Gross weight: 42.2 kg
 EAN code: 4242005138012
 Connection rating: 3600 W
 Fuse protection: 16 A
 Voltage: 220-240 V
 Frequency: 60; 50 Hz
 Length electrical supply cord: 120.0 cm



Series 6, Built-in oven, 60 x 60 cm, Stainless steel HBT578FS2A

The built-in oven with meat probe and AutoPilot: automatically prepares your dishes to perfection.

Heating Functions

- Oven with 10 heating methods:
- 3D Hotair
- Top/bottom heating Hot air grilling Full width grill Pizza setting Bottom heating Slow cooking Defrost Keep warm Hotair gentle
- Temperature range 30 °C - 275 °C
- Automatic rapid heat function

Hook-in racks / rails

- 1 level telescopic rail, safety stop function

Design

- Rotary control knobs, Retractable control knobs
- Cavity inner surface: enamel
- Cavity volume: 71 net usable litres

Cleaning

- Pyrolytic self-cleaning function
- Full glass inner door

Convenience

- LCD-display control (white)
- Electronic clock/timer with end time programming
- Single-point meat probe
- 30 automatic programs
- Halogen lighting
- Integrated cooling fan
- Bar handle
- Electronic functions: Automatic temperature proposal, Actual temperature display, Automatic start, AutoPilot, Sabbath setting, Meat probe function

Safety and Environment

- Quadruple glazed CoolTouch door
- Electronic door lock, Child lock, Automatic safety switch off function, Residual heat indicator

Accessories

- 1 x grill tray, suit. pyrol. clean., 2 x combination grid, 1 x universal pan, 2 x Universal pan, slim size

2 year warranty

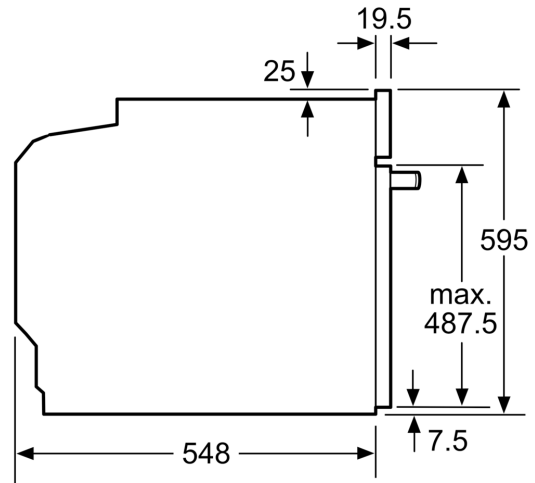
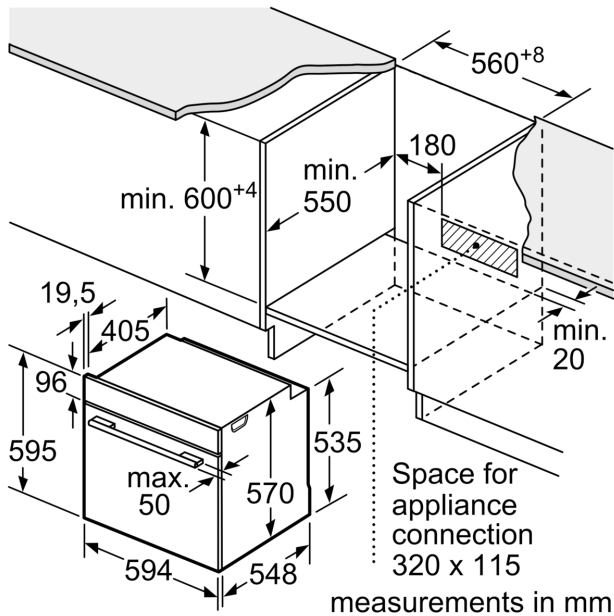
Technical Info

- Length of mains cable: 120 cm
- Nominal voltage: 220 - 240 V
- Total connected load electric: 3.6 KW

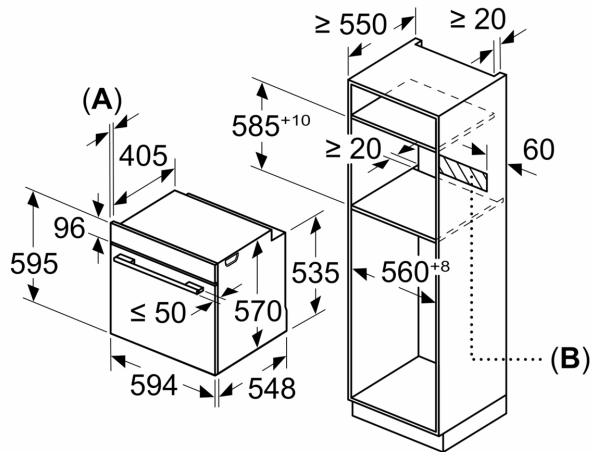
Dimensions

- Appliance dimensions (HxWxD): 595 mm x 594 mm x 548 mm
- Installation dimensions (HxWxD): 585 mm - 595 mm x 560 mm - 568 mm x 550 mm

**Series 6, Built-in oven, 60 x 60 cm,
Stainless steel
HBT578FS2A**



Measurements in mm



A: 19.5 mm
B: Space for appliance connection 320 x 115 mm

Installation with a hob.

