

**Series 8, Built-in oven, 60 x 60 cm,
Black
HBG976MB1A**



The built-in oven with Digital Control Ring and TFT-touchdisplay, Assist function for meals, Air Fry, PerfectRoast Plus, Home Connect for control via the App.

- **TFT Touch Display Plus:** easy control thanks to an innovative Digital Control Ring and enlarged TFT touchscreen.
- **Air Fry Function with tray:** for perfectly fried foods, such as vegetables and chips.
- **Pyrolytic self-cleaning:** automatically cleans the oven, just wipe out the ash.
- **PerfectRoast Plus:** knows exactly when your roast is done.
- **Recipe World:** delicious inspirations that match your taste.

Color / Material Front: Black
 Built-in / Free-standing: Built-in
 Door opening: Drop down
 Cleaning : Pyrolytic+Hydrolytic
 Control Panel Material: Glass
 Door Material: Glass
 Dimensions (HxWxD): 595 x 594 x 548 mm
 Dimensions of the packed product (HxWxD): 670 x 680 x 670 mm
 Min. required niche size for installation (HxWxD): 585-595 x 560-568 x 550 mm
 Cavity dimensions: 357 x 480 x 415 mm
 Usable volume of cavity: 71 l
 Number of interior lights: 1
 Net weight: 39.3 kg
 Gross weight: 41.7 kg
 EAN code: 4242005326877
 Connection rating: 3600 W
 Fuse protection: 16 A
 Voltage: 220-240 V
 Frequency: 50; 60 Hz
 Length electrical supply cord: 120.0 cm

HEZ327000 Pizza stone, HEZ333001 Lid for professional pan, HEZ530000 Half tray, HEZ531010 Baking tray, non-stick ceramic coated, HEZ532010 Universal pan, non-stick ceramic coated, HEZ617000 Pizza pan, anthracite enamelled, HEZ629070 Air Fry & Grill tray, anthracite, HEZ631070 Baking tray, anthracite enamelled, HEZ632070 Multipurpose pan, anthracite enamelled, HEZ633001 Lid for professional pan, enamelled anth, HEZ633070 Professional pan, anthracite enamelled, HEZ633073 Professional pan, anthracite enamelled, HEZ634000 Baking and roasting grid (standard), HEZ635001 AirFry & Grill Set, HEZ638070 Full ext rails, level independent, pyro, HEZ660060 Strip, HEZ664000 Baking and roasting grid (steam), HEZ6BMA00 Assembly kit for vertical installation, HEZ915003 Glass roasting dish, 5,4 L



Series 8, Built-in oven, 60 x 60 cm, Black HBG976MB1A

The built-in oven with Digital Control Ring and TFT-touchdisplay, Assist function for meals, Air Fry, PerfectRoast Plus, Home Connect for control via the App.

- Nominal voltage: 220 - 240 V
- Total connected load electric: 3.6 KW

Dimensions

- Appliance dimensions (HxWxD): 595 mm x 594 mm x 548 mm
- Installation dimensions (HxWxD): 585 mm - 595 mm x 560 mm - 568 mm x 550 mm
- Please reference the built-in dimensions provided in the installation drawing

Heating Functions

- Oven with 14 heating methods: 4D HotAir, Top/bottom heating, Hot air grilling, Full width grill, Half width grill, Pizza setting, Bottom heating, Slow cooking, Defrost, Preheat ovenware, Keep warm, Hotair gentle, Conventional heat gentle, AirFry
- Temperature range 30 °C - 300 °C
- Cavity volume: 71 net usable litres

Hook-in racks / rails

- Number of shelf levels: 5
- 1 set of level independent telescopic rails (Clip-on rail), pyrolytic proof, fully extendable, safety stop function

Design

- Carbon Black Design
- Anthracite enamel cavity with 5 shelf positions
- Touch control
- Digital Control Ring

Cleaning

- Pyrolytic self-cleaning function
- Cleaning Assistance (HydroClean program)

Convenience

- TFT-Touchdisplay Plus
- Automatic temperature proposal, Residual heat indicator, Actual temperature display, Meat probe function
- Air Fry Function
- PerfectRoast Plus
- Bosch Assist - a menu of dishes for automatic cooking
- HomeConnect
- Oven Assistant with Voice Control
- Automatic rapid heat function
- Drop down door
- Oven door with SoftOpen and SoftClose
- Integrated cooling fan
- LED lighting
- Electronic clock/timer with end time programming

Accessories

- 1 x Air Fry & Grill tray, 2 x combination grid, 1 x universal pan

Safety and Environment

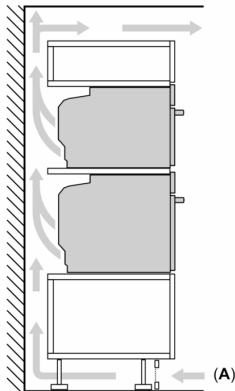
- Electronic door lock, Child lock, Automatic safety switch off function, Residual heat indicator, Start button, Door contact switch
- Quadruple glazed CoolTouch door
- Low door temperature during pyrolytic cleaning
- Full glass inner door

Technical Info

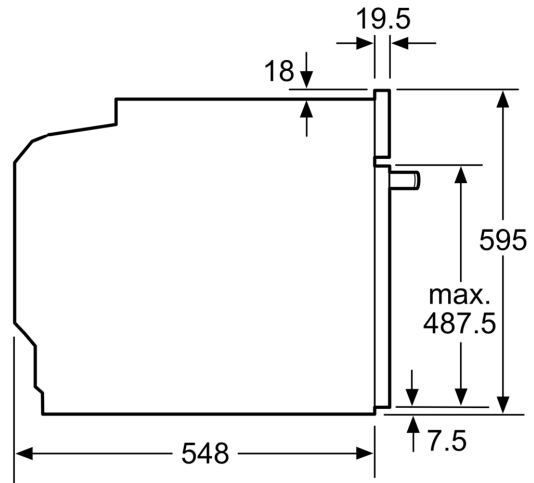
- Length of mains cable: 120 cm

**Series 8, Built-in oven, 60 x 60 cm,
Black
HBG976MB1A**

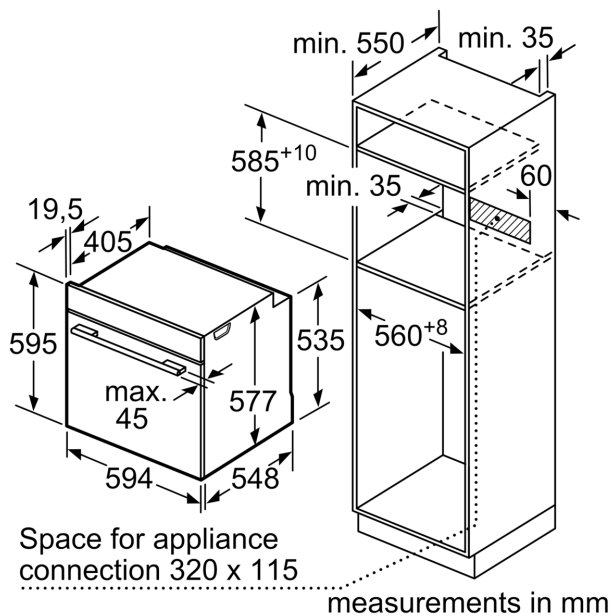
Installing two appliances on top of each other
other
Air exchange



A: Air inlet $\geq 200 \text{ cm}^2$



measurements in mm



If the appliance will be installed underneath a hob, the following worktop thicknesses (including substructure if necessary) must be taken into account.

| Hob type | min. worktop thickness | |
|----------------------------|------------------------|-------|
| | fitted | flush |
| Induction hob | 37 mm | 38 mm |
| Full surface Induction hob | 47 mm | 48 mm |
| Gas hob | 30 mm | 38 mm |
| Electric hob | 27 mm | 30 mm |

