

**Serie | 2, Built-in oven, 60 x 60 cm,
Black
HBF134EB0A**



Included accessories

1 x grill tray
1 x combination grid
1 x universal pan

Optional accessories

HEZ327000 :
HEZ625071 :

The built-in oven with 3D hotair: achieve perfect baking and roasting results on up to three levels simultaneously.

- **3D hotair:** perfect results thanks to optimal distribution of heat on up to 3 levels simultaneously - without taste transfer.
- **Red LED display control:** easy-to-use thanks to the time functions.
- **Pop-out controls:** For an easy to clean front.
- **EcoClean Direct:** almost no cleaning is necessary thanks to a special coating of the rear wall that automatically absorbs grime.

Technical Data

Color / Material Front :	Black
Built-in / Free-standing :	Built-in
Integrated Cleaning system :	catalytic partial
Required niche size for installation (HxWxD) :	575-597 x 560-568 x 550
Dimensions :	595 x 594 x 548
Dimensions of the packed product (HxWxD) (mm) :	666 x 681 x 642
Control Panel Material :	metal lacquered
Door Material :	Glass
Net weight (kg) :	32.236
Usable volume of cavity (l) :	66
Cooking method :	Defrost,
Full width variable grill, Hot Air, Hotair gentle, Hot air grilling	
First cavity material :	Other
Temperature control :	mechanical
Number of interior lights :	1
Approval certificates :	Australia Standards
Length electrical supply cord (cm) :	150
EAN code :	4242005202157
Number of cavities (2010/30/EC) :	1
Energy efficiency rating :	A
Energy consumption per cycle conventional (2010/30/EC) :	0.98
Energy consumption per cycle forced air convection (2010/30/EC) :	0.79
Energy efficiency index (2010/30/EC) :	95.2
Connection Rating (W) :	2300
Current (A) :	10
Voltage (V) :	220-240
Frequency (Hz) :	50
Plug type :	AU plug



4 242005 202157

Serie | 2, Built-in oven, 60 x 60 cm, Black HBF134EB0A

The built-in oven with 3D hotair: achieve perfect baking and roasting results on up to three levels simultaneously.

Heating Functions

- Temperature range 50 °C - 270 °C

Hook-in racks / rails

- Telescopic rails: Available as an additional accessory

Design

- Number of shelf levels: 5 PC
- Rotary control knobs, Retractable control knobs
- Full glass inner door
- Bar handle
- Cavity volume: 66 l
- Extra large capacity oven with grey enamel

Cleaning

- EcoClean Direct : back panel

Convenience

- LED-display control (red)
- Electronic clock/timer with end time programming
- Halogen lighting
- Cooling fan

Accessories

- 1 x combination grid, 1 x grill tray, 1 x universal pan

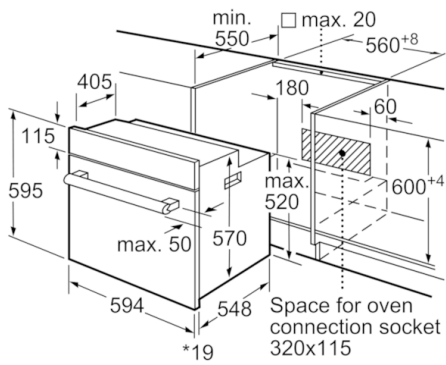
Technical Info

- Length of mains cable: 150 cm
- Nominal voltage: 220 - 240 V
- Total connected load electric: 2.3 KW

Dimensions

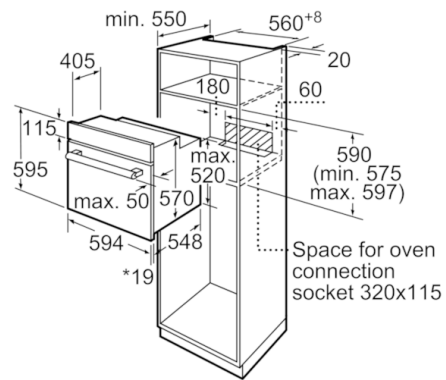
- Appliance dimensions (HxWxD): 595 mm x 594 mm x 548 mm
- Installation dimensions (HxWxD): 575 mm - 597 mm x 560 mm - 568 mm x 550 mm
- Please reference the built-in dimensions provided in the installation drawing

**Serie | 2, Built-in oven, 60 x 60 cm, Black
HBF134EB0A**



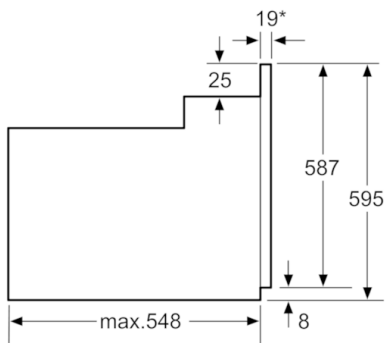
* 20 mm for metal fascias

measurements in mm



* 20 mm for metal fascias

measurements in mm



* 20 mm for metal fascias

Dimensions in mm