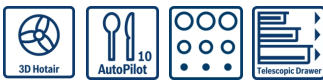


**Serie | 4, Built-in oven, 60 x 60 cm,
Black
HBA574EB0A**



Included accessories

2 x combination grid
1 x universal pan
1 x grill tray
suit. pyrol. clean.

Optional accessories

HEZ327000 : Pizza stone
HEZ530000 : Half tray
HEZ531010 : Baking tray, non-stick ceramic coated
HEZ538000 : 1fold telescopic rail, level independent
HEZ538200 : 2 level telescopic shelf rails
HEZ625071 : Grill tray, anthracite enamelled
HEZ633001 : Lid for professional pan, enamelled anth
HEZ634000 : Baking and roasting grid (standard)

**The built-in oven with AutoPilot:
automatically prepares perfect dishes.**

- **3D Hotair:** even heat distribution for perfect results on up to three levels.
- **AutoPilot 10:** every dish is a perfect success thanks to 10 pre-set automatic programs.
- **Pyrolytic self-cleaning:** effortless cleaning thanks to pyrolytic cleaning programs.
- **1-level telescopic rail:** for safe, easy insertion and removal of baking trays.
- **Red LED display control:** easy-to-use thanks to the time functions.

Technical Data

Color / Material Front : Black
Built-in / Free-standing : Built-in
Cleaning : Pyrolytic+Hydrolytic
Required niche size for installation (HxWxD) : 585-595 x 560-568 x 550 mm
Dimensions (HxWxD) : 595 x 594 x 548 mm
Dimensions of the packed product (HxWxD) : 675 x 690 x 660 mm
Control Panel Material : Glass
Door Material : Glass
Net weight : 37.239 kg
Usable volume of cavity : 71 l
Heating functions : Bottom heat, Conventional heat, Full width grill, Hot Air, Hot air gentle, Hot Air grilling, Pizza setting
First cavity material : Other
Oven control : electronic
Number of interior lights : 1
Approval certificates : CE, VDE
Length electrical supply cord : 120 cm
EAN code : 4242005285303
Number of cavities (2010/30/EC) : 1
Energy efficiency rating : A
Energy consumption per cycle conventional (2010/30/EC) : 0.99 kWh/cycle
Energy consumption per cycle forced air convection (2010/30/EC) : 0.81 kWh/cycle
Energy efficiency index (2010/30/EC) : 95.3 %
Connection Rating : 3600 W
Fuse protection : 16 A
Voltage : 220-240 V
Frequency : 50; 60 Hz
Plug type : no plug



Serie | 4, Built-in oven, 60 x 60 cm, Black HBA574EB0A

The built-in oven with AutoPilot: automatically prepares perfect dishes.

Heating Functions

- Oven with 7 heating methods:
 - Full width grill
 - Hotair gentle
 - 3D Hotair
 - Top/bottom heating
 - Pizza setting
 - Bottom heating
 - Hot air grilling
- Temperature range 50 °C - 275 °C
- Cavity volume: 71 net usable litres

Hook-in racks / rails

- Number of shelf levels: 5 PC
- Telescopic rails: 1 level telescopic rail, safety stop function

Design

- Rotary control knobs, Retractable control knobs
- Extra large capacity oven with grey enamel

Cleaning

- Pyrolytic self-cleaning function
- Cleaning Assistance - cleaning option for light soiling
- Full glass inner door

Convenience

- LED-display control (red)
- Electronic clock/timer with end time programming
- Automatic start
 - Actual temperature display
- AutoPilot, 10 automatic programs
- Bar handle
- Automatic programs
- Rapid heating-up: manual
- Halogen lighting
- Cooling fan

Accessories

- 1 x grill tray, suit. pyrol. clean., 2 x combination grid, 1 x universal pan

Safety and Environment

- Maximum door temperature 30° C
- Low door temperature during pyrolytic cleaning
- Electronic door lock
 - Child lock function
 - Automatic safety switch off function

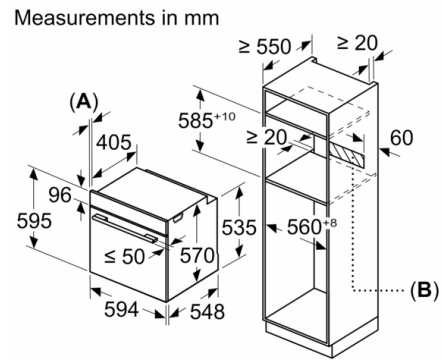
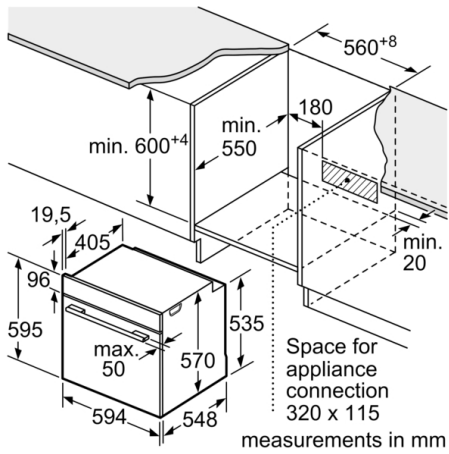
Technical Info

- Length of mains cable: 120 cm
- Nominal voltage: 220 - 240 V
- Total connected load electric: 3.6 KW

Dimensions

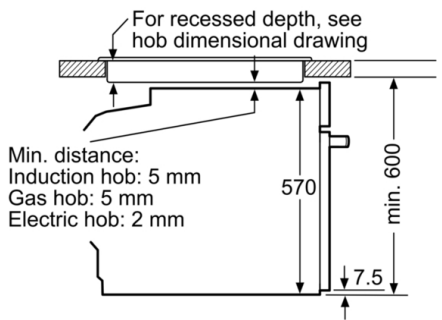
- Appliance dimensions (HxWxD): 595 mm x 594 mm x 548 mm
- Installation dimensions (HxWxD): 585 mm - 595 mm x 560 mm - 568 mm x 550 mm
- Please reference the built-in dimensions provided in the installation drawing

**Serie | 4, Built-in oven, 60 x 60 cm, Black
HBA574EB0A**

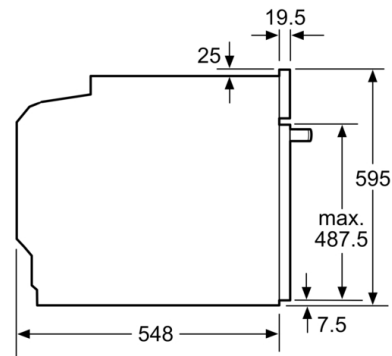


A: 19.5 mm
B: Space for appliance connection 320 x 115 mm

Installation with a hob.



measurements in mm



measurements in mm