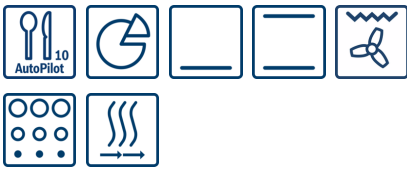


Serie | 4
**HBA574BS0A
Built-in Oven**

Included accessories

2 x combination grid
1 x universal pan

Optional accessories

HEZ327000 : Pizza stone
HEZ530000 : Half tray
HEZ531010 : Baking tray, non-stick ceramic coated
HEZ532010 : Universal pan, non-stick ceramic coated
HEZ538000 : 1fold telescopic rail, level independent
HEZ538200 : 2 level telescopic shelf rails
HEZ625071 : Grill tray, anthracite enamelled
HEZ633001 : Lid for professional pan, enamelled anth
HEZ634000 : Baking and roasting grid (standard)
HEZ636000 : Glass pan

**The built-in oven with AutoPilot:
automatically prepares perfect dishes.**

- **3D Hotair:** perfect results thanks to optimal distribution of heat on up to 3 levels simultaneously.
- **AutoPilot 10:** every dish is a perfect success thanks to 10 pre-set automatic programmes.
- **Red LED display control:** easy-to-use thanks to the time functions.
- **Pop-out controls:** for an easy to clean front.
- **Pyrolytic self-cleaning:** no cleaning effort thanks to automatic self-cleaning.
- Easy to clean grey enamel interior

Technical Data

Color / Material Front :	Stainless steel
Built-in / Free-standing :	Built-in
Integrated Cleaning system :	Pyrolytic
Required niche size for installation (HxWxD) :	585-595 x 560-568 x 550
Dimensions of the product (mm) :	595 x 594 x 548
Dimensions of the packed product (HxWxD) (mm) :	670 x 690 x 660
Control Panel Material :	Stainless steel
Door Material :	Glass
Net weight (kg) :	37.3
Usable volume of cavity (l) :	71
Cooking method :	Bottom heat, Conventional heat, Full width grill, Heißluft sanft, Hot Air, Hot air grilling, Pizza setting
First cavity material :	Other
Temperature control :	No control of the temperature
Number of interior lights :	1
Approval certificates :	CE, VDE
Length electrical supply cord (cm) :	120
EAN code :	4242005033959
Number of cavities (2010/30/EC) :	1
Energy efficiency class (2010/30/EC) :	A
Energy consumption per cycle conventional (2010/30/EC) :	0.99
Energy consumption per cycle forced air convection (2010/30/EC) :	0.81
Energy efficiency index (2010/30/EC) :	95.3
Electrical connection rating (W) :	3600
Current (A) :	16
Voltage (V) :	220-240
Frequency (Hz) :	60; 50
Plug type :	no plug



Serie | 4 Ovens

HBA574BS0A

Built-in Oven

**The built-in oven with AutoPilot:
automatically prepares perfect dishes.**

- Oven with 7 heating methods:
 - 3D Hotair
 - Top/bottom heating
 - Hot air grilling
 - Full width grill
 - Pizza setting
 - Bottom heating
 - Hotair gentle
- Temperature range 50 °C - 275 °C

Design

- Enamel grey with 5 shelf positions
- Cavity volume: 71 net usable litres
- 3 Stage pyrolytic cleaning

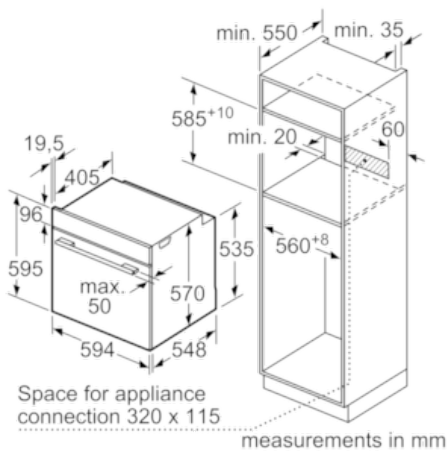
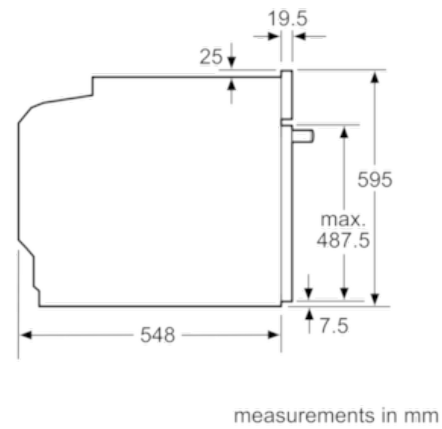
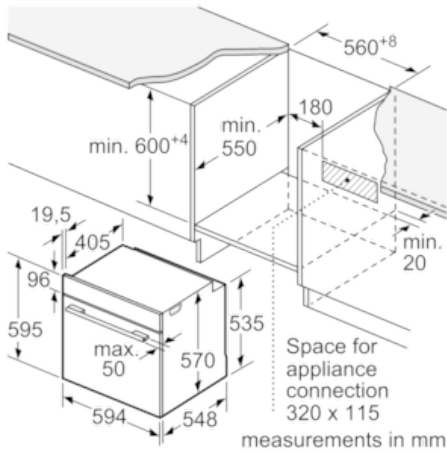
Convenience

- Halogen lighting
- Cooling fan
- Bar handle
- Electronic door lock
 - Child lock function
 - Automatic safety switch off function

2 year warranty

Technical Info

- Length of mains cable: 120 cm
- Total connected load electric: 3.6 KW
- Appliance dimensions (HxWxD): 595 mm x 594 mm x 548 mm
- Installation dimensions (HxWxD): 585 mm - 595 mm x 560 mm - 568 mm x 550 mm

Serie | 4 Ovens
**HBA574BS0A
Built-in Oven**


Installation with a hob.

