

**Series 4, Built-in oven, 60 x 60 cm,
Stainless steel
HBA172BS0A**



HEZ625071 Grill tray, anthracite enamelled, HEZ633001 Lid for professional pan, enamelled anth, HEZ633070 Professional pan, anthracite enamelled, HEZ634000 Baking and roasting grid (standard), HEZ636000 Glass pan, HEZ638200 2 level telescopic shelf rails, full ext, HEZ638300 3 level telescopic rails, full ext, HEZ660050 Cover Strip, HEZ664000 Baking and roasting grid (steam), HEZ915003 Glass roasting dish, 5,4 L, HEZ317000 Pizza pan, grey enamelled, HEZ327000 Pizza stone, HEZ333001 Lid for professional pan, HEZ530000 Half tray, HEZ531000 Baking tray, grey enamelled, HEZ531010 Baking tray, non-stick ceramic coated, HEZ532000 Multipurpose pan, grey enamelled, HEZ532010 Universal pan, non-stick ceramic coated, HEZ533000 Professional pan, grey enamelled, HEZ538000 1fold telescopic rail, level independent, HEZ538200 D level telescopic shelf rails, HEZ538S00 3fold telescopic rails, incl 1 level indep

**The built-in oven with AutoPilot:
automatically prepares perfect dishes.**

- **LED-touch control, red:** easy-to-use thanks to direct access to heating modes, temperature and additional functions via touch buttons
- **Pyrolytic self-cleaning:** Automatically cleans the oven, just wipe out the ash.
- **AutoPilot 10:** every dish is a perfect success thanks to 10 pre-set automatic programs.
- **Pizza setting - ideal for preparing of frozen and home made pizza.**
- **3D Hotair: even heat distribution for perfect results on up to three levels.**

Color / Material Front: Stainless steel
 Built-in / Free-standing: Built-in
 Door opening: Drop down
 Cleaning : Pyrolytic+Hydrolytic
 Control Panel Material: Stainless steel
 Door Material: Glass
 Dimensions (HxWxD): 595 x 594 x 548 mm
 Dimensions of the packed product (HxWxD): 675 x 690 x 660 mm
 Min. required niche size for installation (HxWxD): 585-595 x 560-568 x 550 mm
 Cavity dimensions: 357 x 480 x 415 mm
 Usable volume of cavity: 71 l
 Number of interior lights: 1
 Net weight: 36.8 kg
 Gross weight: 39.0 kg
 EAN code: 4242005356522
 Connection rating: 3600 W
 Fuse protection: 16 A
 Voltage: 220-240 V
 Frequency: 50; 60 Hz
 Length electrical supply cord: 120.0 cm



Series 4, Built-in oven, 60 x 60 cm, Stainless steel HBA172BS0A

The built-in oven with AutoPilot: automatically prepares perfect dishes.

Heating Functions

- Oven with 7 heating methods:
- Full width grill
- Hotair gentle 3D Hotair Top/bottom heating Pizza setting Bottom heating Hot air grilling
- Temperature range 30 °C - 275 °C
- Cavity volume: 71 net usable litres

Hook-in racks / rails

- Number of shelf levels: 5
- Telescopic rails available as optional accessory

Design

- Touch control
- Extra large capacity oven with grey enamel

Cleaning

- Pyrolytic self-cleaning function
- Cleaning Assistance (HydroClean program)
- Full glass inner door

Convenience

- Electronic clock/timer with end time programming
- Automatic temperature proposal, Actual temperature display
- AutoPilot, 10 automatic programs
- Bar handle
- Automatic programs
- Automatic rapid heat function
- Halogen lighting
- Integrated cooling fan

Accessories

- 1 x combination grid, 1 x grill tray, 1 x universal pan

Safety and Environment

- Low door temperature during pyrolytic cleaning
- Electronic door lock, Child lock, Automatic safety switch off function, Start button

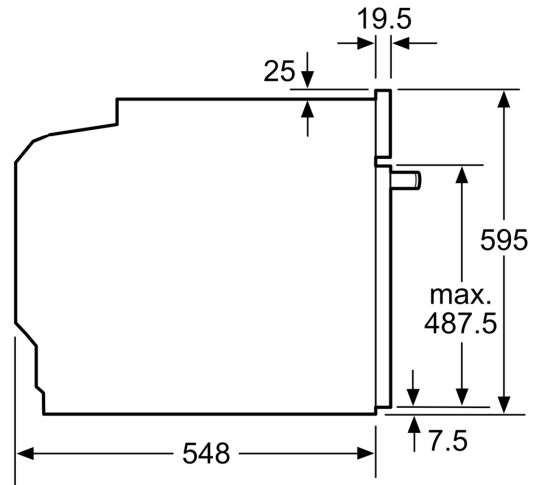
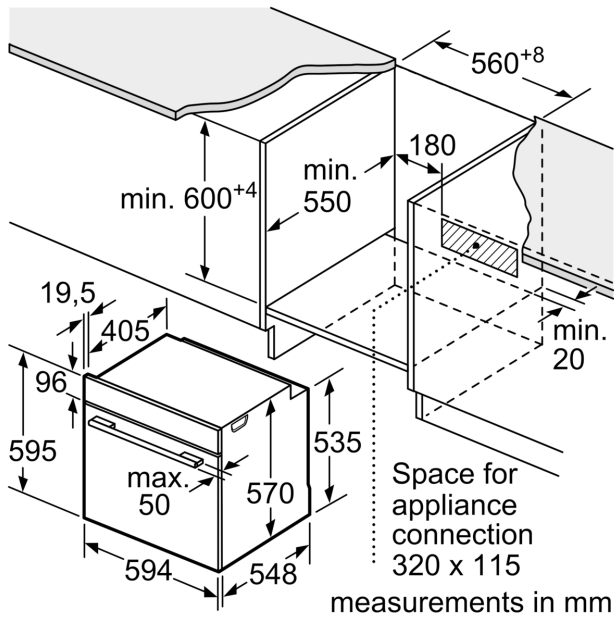
Technical Info

- Length of mains cable: 120 cm
- Nominal voltage: 220 - 240 V
- Total connected load electric: 3.6 KW

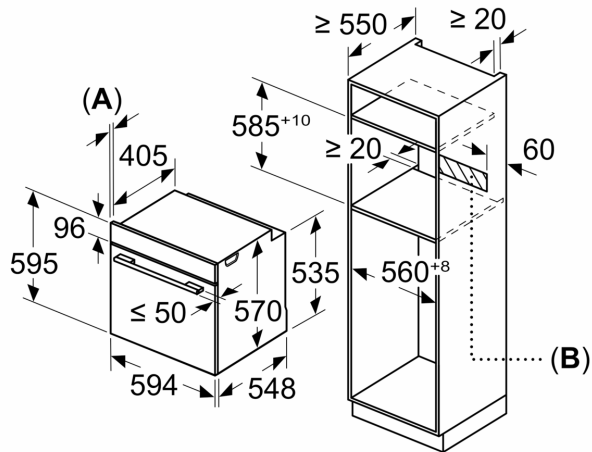
Dimensions

- Appliance dimensions (HxWxD): 595 mm x 594 mm x 548 mm
- Installation dimensions (HxWxD): 585 mm - 595 mm x 560 mm - 568 mm x 550 mm
- Please reference the built-in dimensions provided in the installation drawing

**Series 4, Built-in oven, 60 x 60 cm,
Stainless steel
HBA172BS0A**

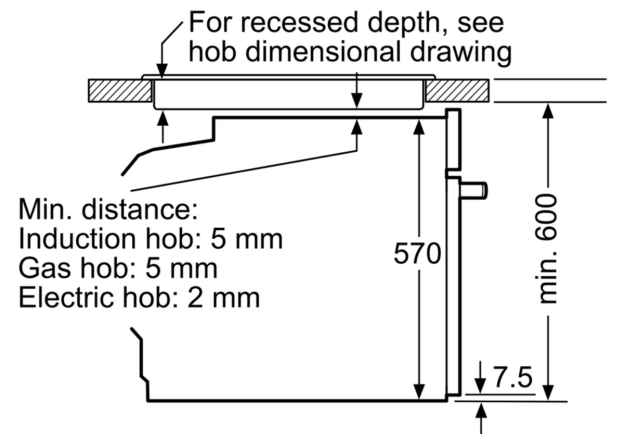


Measurements in mm



A: 19.5 mm
B: Space for appliance connection 320 x 115 mm

Installation with a hob.



measurements in mm