

**Series 4, Built-in oven, 60 x 60 cm,
Black
HBA172BB0A**



**The built-in oven with AutoPilot:
automatically prepares perfect dishes.**

- **LED-touch control, red:** easy-to-use thanks to direct access to heating modes, temperature and additional functions via touch buttons
- **Pyrolytic self-cleaning:** Automatically cleans the oven, just wipe out the ash.
- **AutoPilot 10:** every dish is a perfect success thanks to 10 pre-set automatic programs.
- **Pizza setting - ideal for preparing of frozen and home made pizza.**
- **3D Hotair: even heat distribution for perfect results on up to three levels.**

Color / Material Front:	Black
Built-in / Free-standing:	Built-in
Door opening:	Drop down
Cleaning :	Pyrolytic+Hydrolytic
Control Panel Material:	metal lacquered
Door Material:	Glass
Dimensions (HxWxD):	595 x 594 x 548 mm
Dimensions of the packed product (HxWxD):	675 x 690 x 660 mm
Min. required niche size for installation (HxWxD):	585-595 x 560-568 x 550 mm
Cavity dimensions:	357 x 480 x 415 mm
Usable volume of cavity:	71 l
Number of interior lights:	1
Net weight:	38.1 kg
Gross weight:	40.2 kg
EAN code:	4242005355655
Connection rating:	3600 W
Fuse protection:	16 A
Voltage:	220-240 V
Frequency:	50; 60 Hz
Length electrical supply cord:	120.0 cm

HEZ317000 Pizza pan, grey enamelled, HEZ327000 Pizza stone, HEZ333001 Lid for professional pan, HEZ530000 Half tray, HEZ531000 Baking tray, grey enamelled, HEZ531010 Baking tray, non-stick ceramic coated, HEZ532000 Multipurpose pan, grey enamelled, HEZ532010 Universal pan, non-stick ceramic coated, HEZ533000 Professional pan, grey enamelled, HEZ538000 1fold telescopic rail, level independent, HEZ538200 D level telescopic shelf rails, HEZ538S00 3fold telescopic rails, incl 1 level indep, HEZ625071 Grill tray, anthracite enamelled, HEZ633001 Lid for professional pan, enamelled anth, HEZ633070 Professional pan, anthracite enamelled, HEZ634000 Baking and roasting grid (standard), HEZ636000 Glass pan, HEZ638200 2 level telescopic shelf rails, full ext, HEZ638300 3 level telescopic rails, full ext, HEZ660050 Cover Strip, HEZ664000 Baking and roasting grid (steam), HEZ915003 Glass roasting dish, 5,4 L



Series 4, Built-in oven, 60 x 60 cm, Black HBA172BB0A

The built-in oven with AutoPilot: automatically prepares perfect dishes.

Heating Functions

- Oven with 7 heating methods:
- Full width grill
- Hotair gentle 3D Hotair Top/bottom heating Pizza setting Bottom heating Hot air grilling
- Temperature range 30 °C - 275 °C
- Cavity volume: 71 net usable litres

Hook-in racks / rails

- Number of shelf levels: 5
- Telescopic rails available as optional accessory

Design

- Touch control
- Extra large capacity oven with grey enamel

Cleaning

- Pyrolytic self-cleaning function
- Cleaning Assistance (HydroClean program)
- Full glass inner door

Convenience

- Electronic clock/timer with end time programming
- Automatic temperature proposal, Actual temperature display
- AutoPilot, 10 automatic programs
- Bar handle
- Automatic programs
- Automatic rapid heat function
- Halogen lighting
- Integrated cooling fan

Accessories

- 1 x combination grid, 1 x grill tray, 1 x universal pan

Safety and Environment

- Low door temperature during pyrolytic cleaning
- Electronic door lock, Child lock, Automatic safety switch off function, Start button

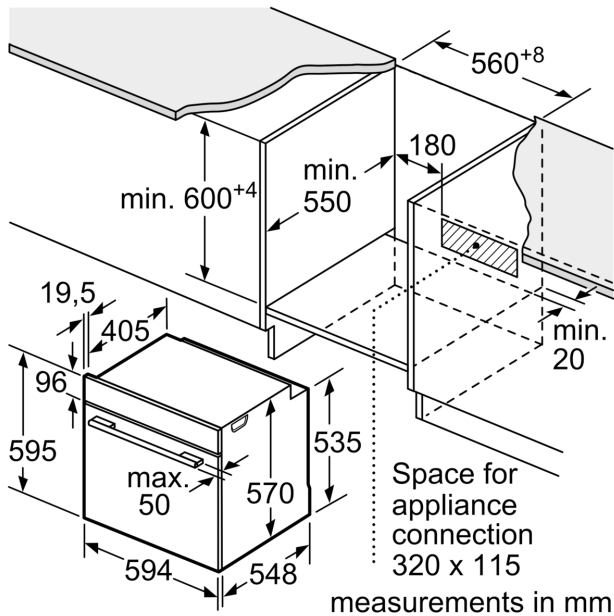
Technical Info

- Length of mains cable: 120 cm
- Nominal voltage: 220 - 240 V
- Total connected load electric: 3.6 KW

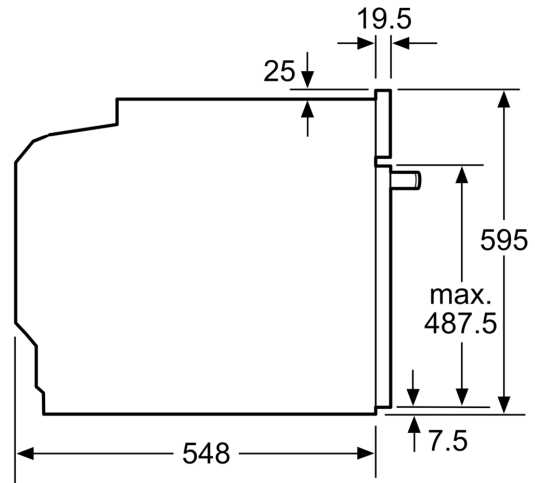
Dimensions

- Appliance dimensions (HxWxD): 595 mm x 594 mm x 548 mm
- Installation dimensions (HxWxD): 585 mm - 595 mm x 560 mm - 568 mm x 550 mm
- Please reference the built-in dimensions provided in the installation drawing

**Series 4, Built-in oven, 60 x 60 cm,
Black
HBA172BB0A**

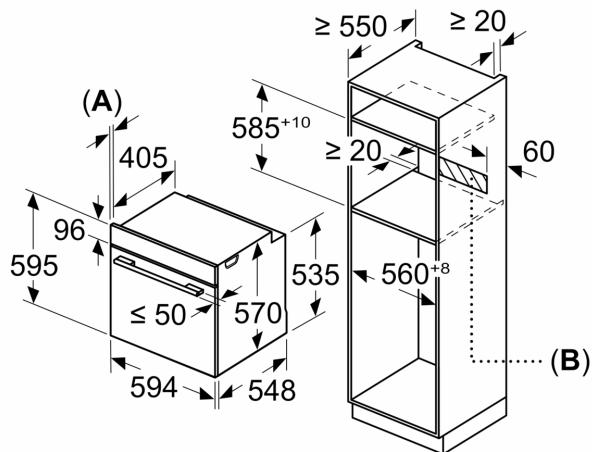


measurements in mm



measurements in mm

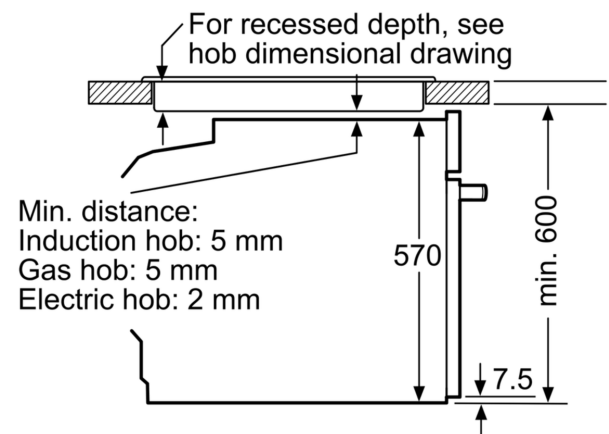
Measurements in mm



A: 19,5 mm

B: Space for appliance connection 320 x 115 mm

Installation with a hob.



Min. distance:
Induction hob: 5 mm
Gas hob: 5 mm
Electric hob: 2 mm

measurements in mm