

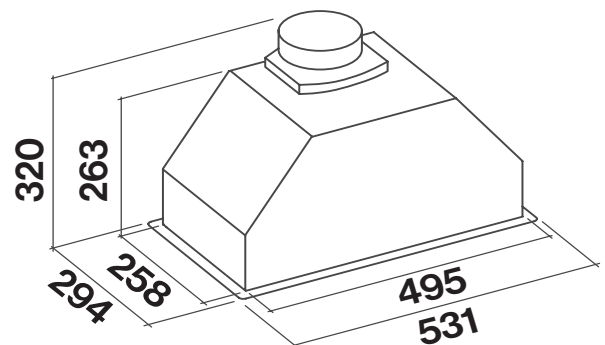


Product Features

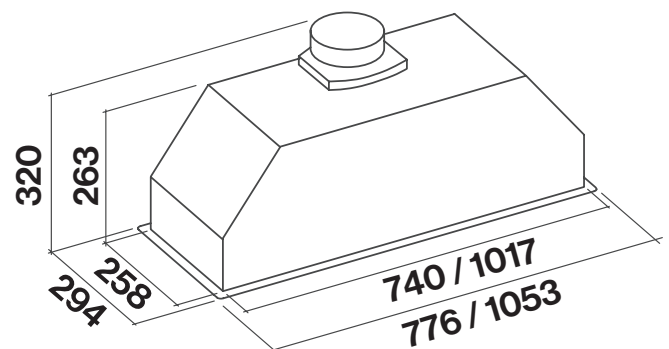
Motor Type	On Board Motor
Filtration Type	Metallic Grease Filter Charcoal Filter Perimeter Suction
Controls	Electronic Control (Remote Control Optional)
Speed Settings	3 Speed + Boost
Timer Function	15 Min Auto Shut-Off
Ducting	150mm Circular Outlet
Other	N/A

Dimensioned Drawings

60cm Version



80cm and 105cm Version



Model Code	Hood Mounting	Size	Motor Output	Lighting	Finish
F3GI60S1	Built-In	60cm	800 m³/hr	LED 2 x 1.2 W (3200 K)	Stainless Steel
F3GI80S1	Built-In	80cm	800 m³/hr	LED 2 x 1.2 W (3200 K)	Stainless Steel
F3GI10S1 •	Built-In	105cm	800 m³/hr	LED 2 x 1.2 W (3200 K)	Stainless Steel