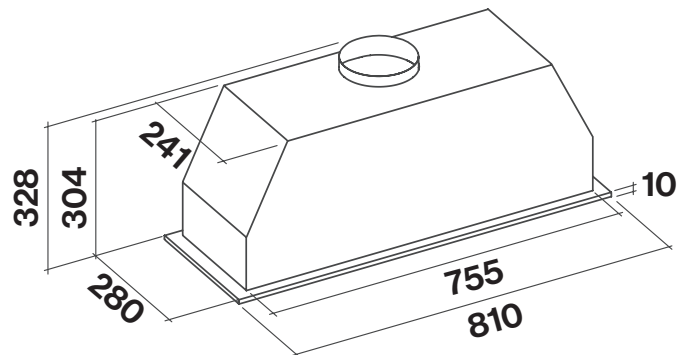




Product Features

Motor Type	On Board Motor
Filtration Type	Baffle Filter
Controls	Electronic Control (Remote Control Optional)
Speed Settings	3 Speed + Boost
Timer Function	15 Min Auto Shut-Off
Ducting	150mm Circular Outlet
Other	N/A

Dimensioned Drawings



Model Code	Hood Mounting	Size	Motor Output	Lighting	Finish
FP3GP80S2	Built-In	80cm	950 m ³ /hr	LED 4 x 1.2 W (3200K)	Stainless Steel