

FONTAS II

3 in 1 filter high arch tap

BLANCO

FONTASBRF Stainless steel



Key Features

European design

European styling and engineering

Ceramic Disk Cartridge

Durable and long lasting ceramic disk technology

2 Levers

Separate lever for filtered water

3 in 1 Tap

3 in 1 mixer tap with cold and warm water lever on the right, filtered water lever on the left, space saving and practical

High Arch and 360° swivel

The high arched neck and 360° swivel will allow you to clean dishes and fill pots and vases with ease

Specifications

Material:

Stainless steel

WELS Rating:

5

Litres Per Minute:

5

Recommended Pressure:

300kPa

Min Pressure:

150kPa

Max Pressure:

1000kPa

Dimensions:

300mm total height

205mm spout length

267mm spout height

Spout Swivel:

360°

Mounting Hole:

Ø 35 mm tap hole required

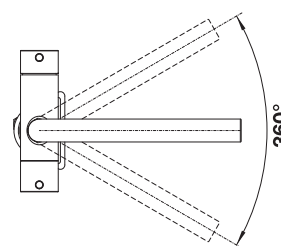
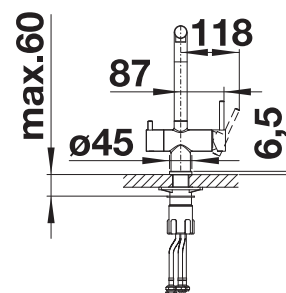
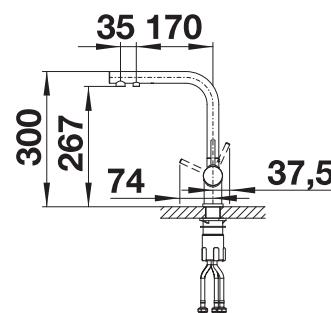
Filter Supplied:

Yes (Recommended to replace minimum every 12 months - varies by location and water hardness)

Warranty:

10 years

Line Drawings



Note: Measurements are within 2 - 3mm of factory tolerance. It is advisable to check dimensions of physical product when measuring for installations and before doing any cut outs.
*Due to continual product development the information provided is not final and may be subject to change.