

FMIA 120G

LINEA BUILT-IN MICROWAVE OVEN

MADE IN ITALY
Since 1948



COOKING FUNCTIONS:



MICROWAVE



MICROWAVE
+ GRILL



GRILL

OTHER FUNCTIONS:



DEFROST BY
TIME



DEFROST BY
WEIGHT

MICROWAVE FEATURES

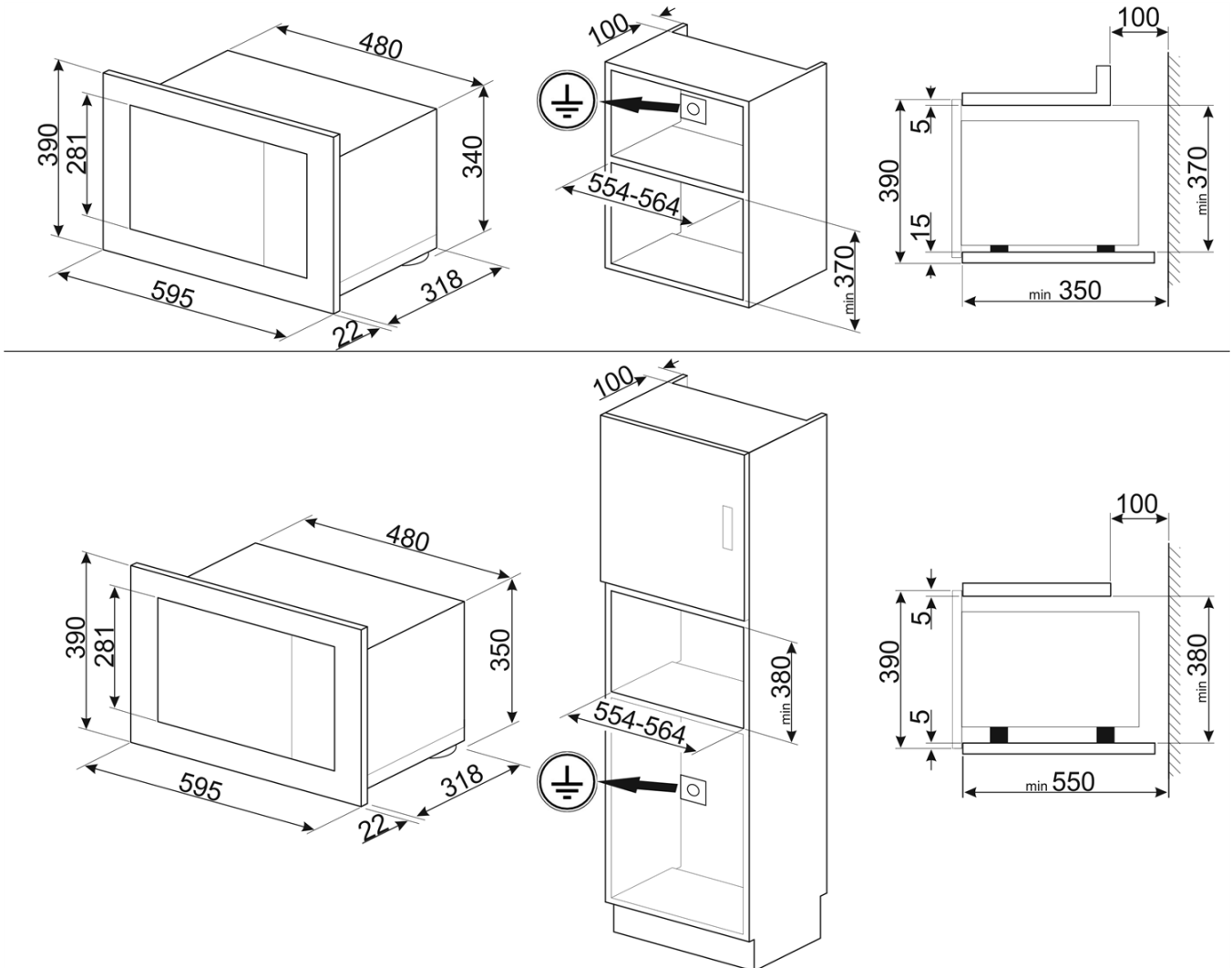
EAN	8017709327330
Dimensions	595mmW x 390mmH x 340mmD
Finish	Neptune Grey glass
Display	TFT
Capacity	21L
Installation	Built-in
Cavity type	Stainless steel interior
Turntable	24.5cm diameter
Power levels	5
Microwave power	800W
Grill Power	1000W
Cooking functions	Microwave, Microwave + Grill, Grill
Automatic cooking	3 programs
Defrost	By Time and Weight
Other functions	Quick Start option
Lighting	1 x 20W incandescent
Control panel	Electronic touch pad
Opening	Side opening, touch control
Clock	TFT
Timer	End of cooking acoustic alarm
Supplied accessories	1 x Trimkit 1 x Grill stand
Safety	Control lock, microwave stops when door is opened
Power	230V, 50Hz, 10A Connection
Warranty	Five years parts and labour

FMIA 120G

LINEA BUILT-IN MICROWAVE OVEN

MADE IN ITALY

Since 1948



PLEASE NOTE: not designed for under bench installation.
 PLEASE NOTE: drawings are not to scale. They are to assist only.
 WARNING: technical specifications and product sizes can be varied by the manufacturer without notice.
 Cutouts for appliances should only be by physical product measurements. The above information is indicative only.