

FAB50 50'S STYLE RETRO REFRIGERATOR



Left FAB50BLAU
Right FAB50RBLAU



Left FAB50LCRAU
Right FAB50RCRAU



Left N/A
Right FAB50RPBAU



Left FAB50LRDAU
Right FAB50RRDAU



Left FAB50LWHAU
Right FAB50RWHAU

Finish	Black, Cream, Pastel Blue, Red, White
Dimensions	796mmW x 1872mmH x 780mmD (includes handle)
Gross Capacity	Refrigerator: 351L Freezer: 116L Total: 467L

REFRIGERATOR (Main Compartment)

No. Shelves	3 x Quick chill glass
No. Drawers	2 x With glass cover
Lighting	Incandescent

REFRIGERATOR (Inner door)

No. Shelves	1 x shelf with cover 4 x adjustable with wire support 1 x bottle shelf
Accessories	1 x Cheese box 1 x Butter tray

FREEZER

No. Shelves	1 x Plastic shelf
Accessories	1 x Manual ice maker 2 x Ice boxes 1 x Fast-freeze compartment

Defrost Total Frost Free

Performance

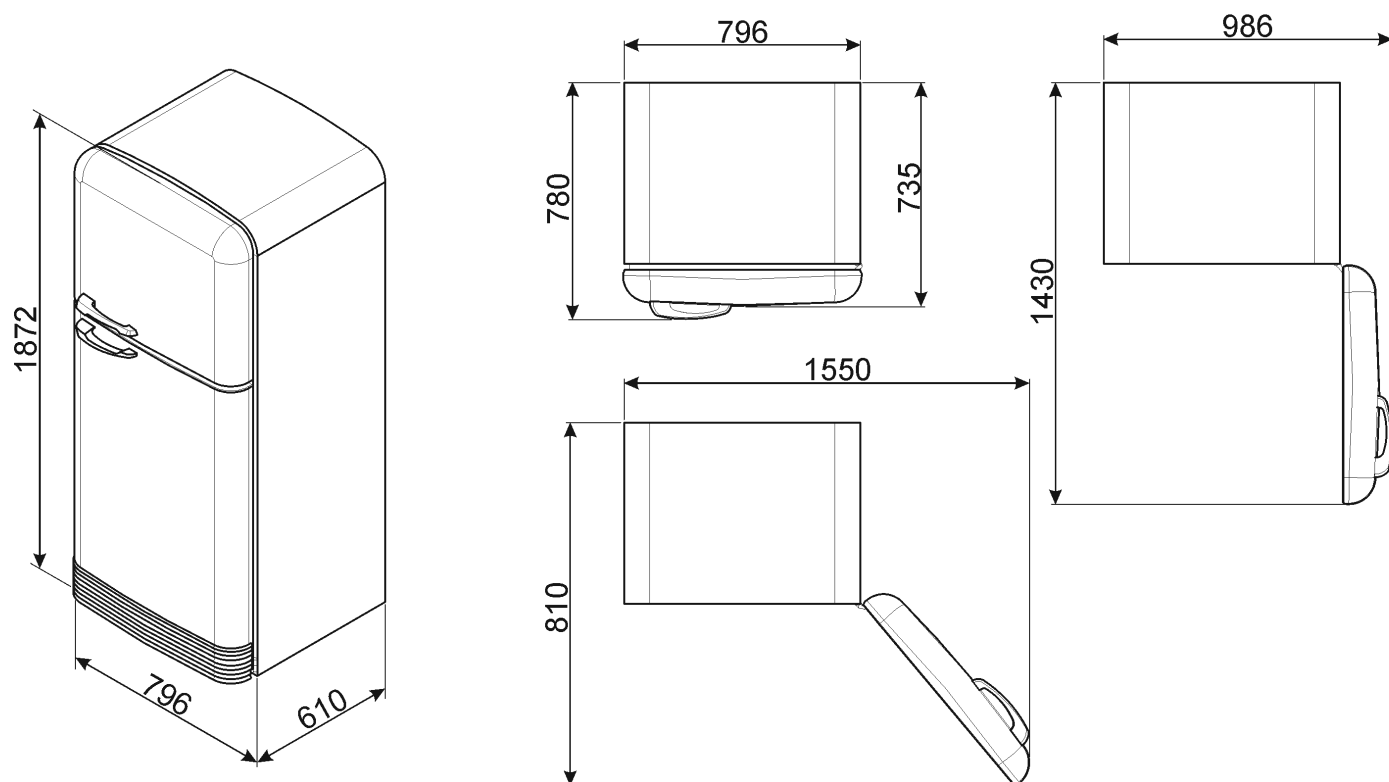
Energy Consumption	439kWh/year
Star Rating	3 Star
Noise	43 dBA
Power	220-240V, 50Hz 10A (3-pin plug)

Warranty 5 years parts and labour



FAB50

50'S STYLE RETRO REFRIGERATOR



PLEASE NOTE: drawings are not to scale. They are to assist only.

WARNING: technical specifications and product sizes can be varied by the manufacturer without notice.

Cutouts for appliances should only be by physical product measurements. The above information is indicative only.

ID200520