

90cm 4 zone hybrid gas and induction cooktop with 24MJ/h DualFlame gas wok burner, SenseFry, Bridge zone, PowerBoost and Hob2Hood capability

RRP AUS \$5,799.00



Product Details

FEATURES

SenseFry	PowerBoost	Bridge function	Hob2Hood technology
Touch and slide controls Touch the control bar at the necessary heat setting	Pause cooking with Stop and Go	24 MJ wok burner	Dual Flame control
One hand ignition	LP conversion kit included (must be installed by licensed tradesman)		

BENEFITS

MATCH THE METHOD TO YOUR MEALS

Enjoy the speed and precision of induction cooking but also love the performance of gas? With this versatile combination of induction zones and a high power gas burner, you can tailor your cooking technique to your culinary repertoire with ease.

EVEN FRYING. AUTOMATICALLY.

SenseFry measures heat levels and makes automatic adjustments under the pan to maintain the ideal temperature for even cooking results. Now its easy for you to whip-up evenly browned pancakes and juicy steaks at home.

SEAR. STIR-FRY. BOIL.

The PowerBoost function gives you an intense heat boost when needed, before automatically dropping to the highest power level. Perfect for pan searing fish, stir-frying crunchy vegetables, or bringing water to the boil quickly.

COMBINE ZONES FOR MORE FLAVOUR

The Bridge function allows you to combine two separate cooking zones to create a single large surface. With the temperature and time settings automatically aligned, its ideal for making the most of planchas or roasting pots.

INTENSE HEAT RICH TASTE

The powerful 24 MJ wok burner provides the intense heat needed to lock in flavours and textures when stir-frying at high temperatures.

HANDS-FREE HOOD

Hob2Hood automatically switches on your extractor hood when you start cooking and adjusts the fan speed based on how you are using your hob. This means you can boil, sear or stir-fry without having to touch your hood with greasy fingers.

Specifications

PRODUCT PROFILE

Domestic warranty details (yrs)	2
Cooktop type	hybrid
Materials/Colour	black ceramic glass
Removable trim (for cleaning)	No
Wok included designed to fit cooktop	No

CONTROLS

Controls of Cooktops	Touch and Slide controls,knob
Functions of Cooktops	automatic warm up,timer,Keep warm function,cooking timer with acoustic signal,automatic switch off,Hob2Hood,stop and go,Bridging,PowerBoost
Indicators/display	fault indicator,3 level residual heat indicator

DIMENSIONS

Total product height (mm)	111
Total product width (mm)	910
Total product depth (mm)	520
Cut out width (mm)	880
Cut out depth (mm)	490
Cut out height (mm)	51

FEATURES

Trivets	cast iron
Ignition type	electronic under knob ignition

CONTROLS

Features of Cooktop	safety cut off,overheating protection,electronic timer,minute minder,function lock,hot surface indicator,auto pot sensors,child safety device lock,flame failure,wok holder,Hob2Hood,Cast iron trivets,Bridge zone,SenseFry
---------------------	---

Timer of Cooktop	programmable 99min,auto off,countdown,Minute minder
------------------	---

ELEMENTS/BURNERS

LEFT FRONT ZONE

Left front zone	induction
-----------------	-----------

Left front Watts	2300
------------------	------

Left front boost watts	3200
------------------------	------

CENTRE FRONT ZONE

Centre front zone	induction
-------------------	-----------

Centre front Watts	1400
--------------------	------

RIGHT FRONT ZONE

LEFT REAR ZONE

Left rear zone	induction
----------------	-----------

Left rear watts	2300
-----------------	------

CENTRE REAR ZONE

Centre rear zone	induction
------------------	-----------

Centre rear Watts	1800
-------------------	------

ELECTRICAL SPECIFICATIONS

Right front zone

dual valve wok

ELECTRICAL SPECIFICATIONS

Connected load KW	7.4
-------------------	-----

Type of connection	hardwired
--------------------	-----------

Position of connection	rear left
------------------------	-----------

GAS SPECIFICATIONS

Total burner output(NG)	24
-------------------------	----

Position of gas connection	rear right
----------------------------	------------

SHIPPING

Shipping Volume (m3)	0.115
----------------------	-------

Shipping Weight (Kg)	19.2
----------------------	------

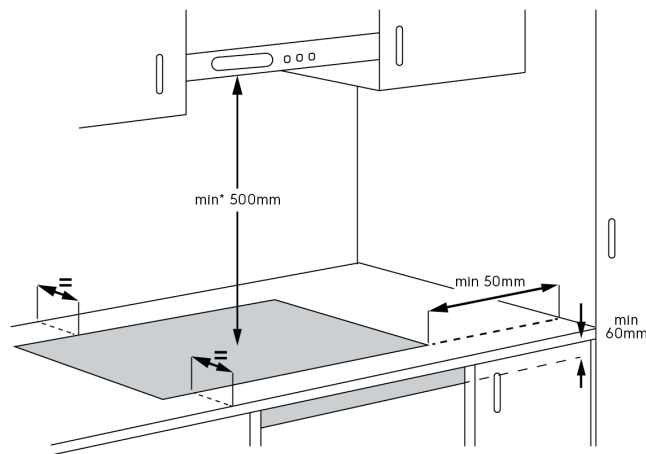
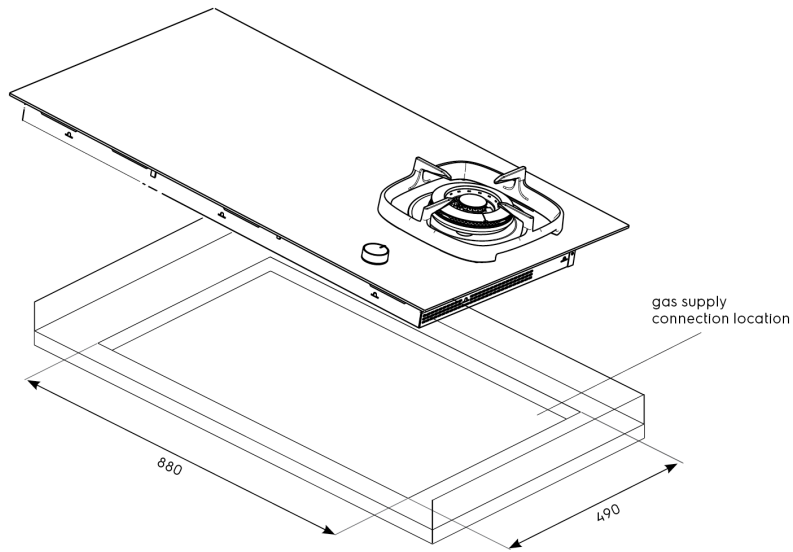
Pack Dimensions Height (mm)	180
-----------------------------	-----

Pack Dimension Width (mm)	1010
---------------------------	------

Pack Dimension Depth (mm)	630
---------------------------	-----

Dimensions

Model:
EHH957BE



Terms and Conditions

IMPORTANT

This is a guide of product dimensions only. For complete installation instructions, refer to the manual provided with product.

PRODUCT INFORMATION

The descriptors and illustrations in this publication apply to the specific products and models described as at the date of issue. Under our policy of continuous product development, product specifications may change without notice. Prospective purchasers should therefore check with their retailer to ensure this publication correctly describes the products that are being offered for sale. All information supplied is to be used for general reference purposes only and is on the understanding that Electrolux Home Products Pty Ltd (Australia) and Electrolux (NZ) Ltd (New Zealand) will not be liable for any loss, liability or damage of whatever kind arising as a result of reliance on such information. Colours of products illustrated are as close as printing limitations allow. Electrolux will at all times comply with its obligations pursuant to law including Trade Practices (Australian Consumer Law) Act and Regulations.

WARRANTY

This warranty only applies to Appliances purchased and used in Australia or New Zealand and used in normal domestic applications and is in addition to (and does not exclude, restrict, or modify in any way) any non-excludable statutory warranties in Australia or New Zealand. All warranties are subject to the conditions set out in the warranty card accompanying the product when purchased.

ELECTROLUX HOME PRODUCTS AUSTRALIA

telephone: 1300 363 640

fax: 1800 350 067

email: customercare@electrolux.com.au

web: www.electrolux.com.au

ELECTROLUX HOME PRODUCTS NEW ZEALAND

telephone: 09 573 2230

fax: 09 573 2221

email: customercare@electrolux.co.nz

web: www.electrolux.co.nz