

EGN 9171

Quality, Design and Innovation



EGN 9171

EKB 9471



MONOLITH

LIEBHERR

With its impressive size, clean lines, and innovative interior features, the Monolith was designed to inspire awe and integrate seamlessly into your kitchen – today, tomorrow, and for years to come.

Monolith FrostSafe system, has enclosed removable freezer drawers that protect frozen food from unwanted air exchange and the loss of cold air when the door is opened. In addition, the FrostSafe drawers are transparent and equipped with telescopic rails for perfect visibility. No defrosting ever! The adjustable InfinityLight LED system casts beautiful and even side lighting, giving a soft, brightening effect upon opening the doors. Our intuitive electronic touch-control panel, InfinitySwipe, features a full-colour 3.5-inch touch & swipe screen that's bright, clean and wonderfully user-friendly. Stainless steel or aluminium handles and a stainless steel front are available as optional accessories.

Possible Side-by-Side combinations

EGN 9171 & EKB 9671

EGN 9171 & EKB 9471



Monolith 45.7 cm

Energy consumption (kWh/y) Star rating
Sound rating dB(A) *
Usable freezer capacity litre
Number of shelves
Number of door racks
Number of FrostSafe drawers
Electronic control
Door / side walls
Freezer temperature range °C
Temperature alarm
Defrost type
Interior light
Door alarm
Water filter
IceMaker
Ice cube output kg/24h
SoftSystem
Door hinges
Product dimensions (H/W/D) cm
Cut out dimensions (H/W/D) cm
Gross / Net weight kg
Voltage (V) / Rated current (A)
Warranty

EGN 9171

No Frost	Infinity Swipe	Infinity Light	Ice Maker	Soft System	Soft Telescopic
----------	----------------	----------------	-----------	-------------	-----------------

355 3.0
39
218
4
3
3
InfinitySwipe
Steel
-14°C to -27°C
Visual and audible
Automatic
InfinityLight
Audible
Yes
Fixed water connection 20 mm (3/4")
1.6
Yes
Left, reversible ***
212.6 / 45 / 61
213.4 / 45.7 / min. 63.5
152 / 137
220-240 / 2.0
5 Years

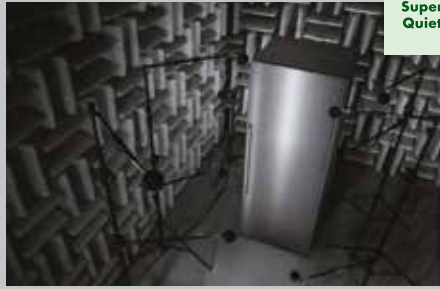
* Noise output - according to EN 60704-3.

*** Please contact your Liebherr Authorised Dealer for door reversal.



Soft System

SoftSystem: Monolith's doors close automatically and gently thanks to our SoftSystem technology, which eliminates slamming even when shelves are fully loaded. Depending on the size of the Monolith unit, door hinges can hold up to 40 kg.



Super Quiet

SuperQuiet: Noise levels are kept to a minimum thanks to virtually silent, speed-controlled, and sound absorbing compressors. Alongside a low noise cooling circuit, these features ensure exact performance, energy efficiency, and SuperQuiet operation.



Ice Maker

IceMaker: Monolith's automatic IceMaker is a crowd pleaser in itself, producing 1.6kg of filtered ice in 24 hours. Activate the SuperFrost function for an even greater production capacity. With a 1.8kg storage capacity you will never be without.



FrostSafe

Every year, thousands of tons of food are lost due to freezer burn, temperature fluctuations and other storage issues. But with Monolith's FrostSafe system, airtight removable transparent freezer drawers protect frozen food from unwanted air exchange and chilled air loss even when the door is opened.



Infinity Light

InfinityLight: Seamlessly integrated LED side-wall lighting in the Monolith casts a beautiful and even glow that can be adjusted to your liking. It gives a soft, brightening effect upon opening the appliance doors and comes with a pleasing night dimming feature. InfinityLight adds drama and flair while emitting less heat to preserve food quality.



Infinity Swipe

InfinitySwipe: The Monolith's intuitive electronic touch-control panel features a full-colour 3.5-inch touch and swipe screen that's bright, clean, and wonderfully user-friendly. You'll barely have to lift a finger to control every function.

Optional Accessories

Stainless steel front



◀45.7▶

Stainless steel front 45.7 cm (Part no. 39901916)

Handle variants



Brushed aluminium square handle (Part no. 39901461)

Round stainless steel handle (Part no. 39901489)

Brushed aluminium soft-edge handle (Part no. 39901492)

Stainless steel toe kick



Stainless steel toe kick
Base - trim / 45.7 cm (Part no. 39901493)
Stainless steel toe kicks are available in different lengths to suit installation with other Monolith appliances.

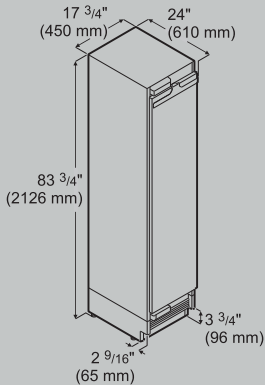
Side-by-Side kit (if required)

Monolith's Side-by-Side kit (Part no. 39901428) includes a side wall heater to prevent condensation, metal brackets with screws, and a finishing strip to fill the gap between the appliances.

Door hinge exchange set (Part no. 39902399)
To be used when reversing factory-fitted hinges. Door reversal must be performed by a Liebherr authorised dealer.

Product Dimensions

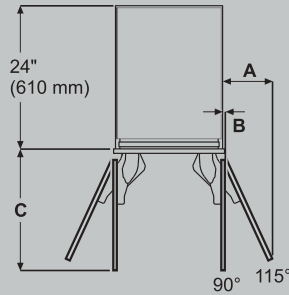
45.7 cm appliance



IMPORTANT!
Stated minimum height dimensions include height of the adjustable feet when fully inserted.

Height can be increased by a maximum of 19 mm by turning the adjustable feet. When the appliance is fitted in the recess, the appliance must be raised by turning the adjustable feet so that the appliance top has contact with the anti-tipping bracket. This results in a 4" (102 mm) toe kick height.

45.7 cm appliance



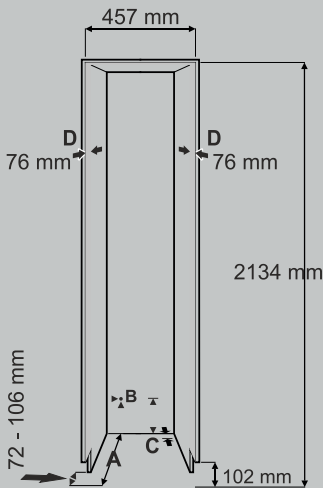
Internal door panel
 A = 8 1/4" (210 mm)
 B = 1/2" (12.5 mm)
 C = 19 7/8" (505 mm)

External door panel
 A = 8 1/2" (216 mm)
 B = 1/2" (12.5 mm)
 C = 20 3/8" (517 mm)

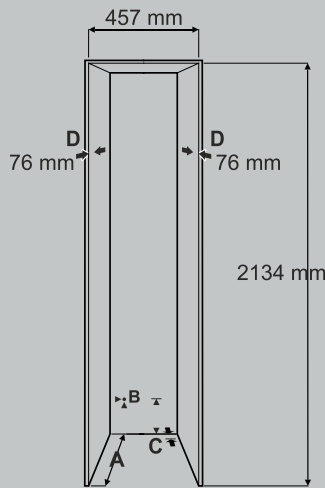
Dimension A = without mounted door handle

Cut Out Dimensions

Continuous toe kick



Individual toe kick



Door Front Dimensions

45.7 cm recess



Integrated installation
 H = 79 7/8" (2029 mm)
 W = 17 3/4" (451 mm)

Frameless installation
 H = 80" (2032 mm)
 Add overlapping dimension to the panel on the top.
 W = 18" (457 mm)
 Add overlapping dimension to the panel on both sides.

Front thickness = min. 5/8" (16 mm) / max. 1 3/8" (30 mm)
 Front and handle weight = max. 25 kg

A: Recess depth for external door panel = 635 mm
 Recess depth for internal door panel = 635 mm plus panel thickness

B: This is the point where the mains cable exits from the appliance rear. 19 mm from the left and 127 mm from the floor. Free length of the mains cable is 2.5 m.

IMPORTANT

The socket must be easily accessible so that the appliance can be disconnected from the mains quickly in an emergency. It must not be behind the back of the appliance.

C: The appliance has a recess in this area for cable and water line laying. 25 mm in depth and 140 mm in height over the whole width of the appliance.

D: This surface is visible when the appliance door is open. Designed finish is required.

* If a five-piece shaker style front is used, which is thinner than the minimum front thickness, shorter screws than those supplied in the accessory pack must be used.

Note: Whilst every effort is made to ensure all specifications and information in this flyer are accurate, Liebherr reserves the right to make changes without notification. Where actual appliance measurements, specifications, and ratings are crucial, we recommend that the actual appliance installation instructions that accompany each appliance be checked. Liebherr will not be liable for any loss.