

**Serie | 2, Wall-mounted cooker hood,
90 cm, Stainless steel
DWP96BC50A**



Optional accessories

DHZ5275 : Recirculating kit

**Canopy hood: perfect performance
matching your kitchen.**

- **Extraction rate:** at 626 m³/h, it quickly ensures optimal kitchen air quality.
- **Silent:** maximum extractor performance with little noise
- **LED lighting:** for perfect, energy-efficient illumination of the cooktop.
- **Push buttons:** simply modify the desired power level settings with mechanic control.

Technical Data

Color chimney :	Stainless steel
Typology :	Chimney
Approval certificates :	Australia Standards, VDE
Length electrical supply cord (cm) :	130
Height of the chimney (mm) :	553-730/573-730
Height of product, without chimney (mm) :	246
Minimum distance above an electric hob :	550
Minimum distance above a gas hob :	650
Net weight (kg) :	9.839
Type of control :	mechanical
Number of speed settings :	3
Maximum output air extraction (m ³ /h) :	626
Maximum output recirculating air (m ³ /h) :	409
Number of lights :	2
Noise level (dB) :	69
Diameter of air outlet (mm) :	150 / 120
Grease filter material :	Washable aluminium
EAN code :	4242005100651
Connection Rating (W) :	220
Current (A) :	10
Voltage (V) :	220-240
Frequency (Hz) :	50; 60
Plug type :	AU plug
Installation typology :	Wall-mounted



4 242005 100651

Serie | 2, Wall-mounted cooker hood, 90 cm, Stainless steel DWP96BC50A

Canopy hood: perfect performance matching your kitchen.

Design & Innovation

- Pyramid design
- Appliance colour: Stainless steel

Power and Mode of Operation

- 3 power settings via Push button
- Push button controls for power and light
- Extraction rate exhaust air according to EN 61591: max. 626 m³/h
- Extraction rate in recirculation mode:
Max. normal use: 409 m³/h
- Ducted and recirculated-air operation
- For recirculated extraction optional recirculation kit (accessory) needed
- Twin channel high performance fan motor
- Noise min./max. Normal Level: 51/69 dB
Noise max. Intensive setting: NO_FEATURE dB
- Noise level in recirculation mode:
Max. normal use: 75 dB(A) re 1 pW (62 dB(A) re 20 µPa sound pressure)
- Energy Efficiency Class: A (at a range of energy efficiency classes from A++ to E)
- Power rating: 220 W

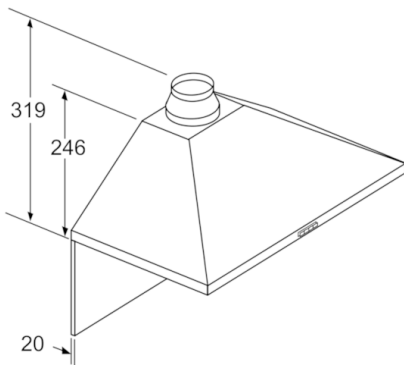
Comfort & Convenience

- Dishwasher safe metal grease filters
- 2 x 1.5W LED
- with one-way flap: prevents outside air from entering your kitchen

Technical Information

- Appliance width: 900 mm
- Dimensions exhaust air (HxWxD): 799-975 x 900 x 500 mm
- Dimensions recirculating (HxWxD): 799-975 x 900 x 500 mm
- Diameter pipe Ø 150 mm (Ø 120 mm enclosed)
- Electrical cable length 1.3 m

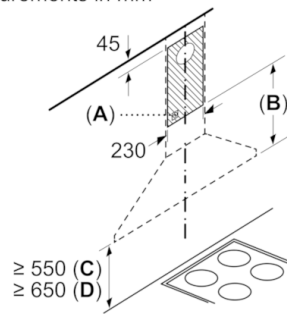
**Serie | 2, Wall-mounted cooker hood, 90 cm,
Stainless steel
DWP96BC50A**



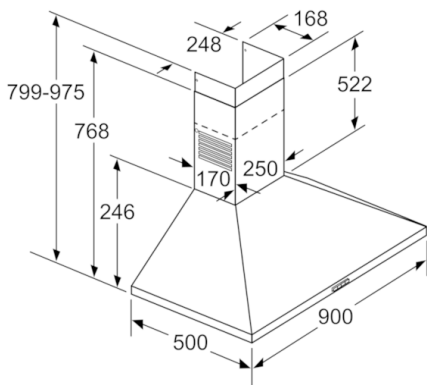
If a back panel is used,
the design of the appliance
must be considered.

measurements in mm

measurements in mm



- A: Socket
- B: Exhaust air: ≥ 280 ; circulated air: ≥ 490
- C: electric
- D: Gas, from upper edge of pan support



measurements in mm