

**Serie | 2, Wall-mounted cooker hood,
60 cm, Stainless steel
DWP66BC50A**



**Canopy hood: perfect performance
matching your kitchen.**

- **Extraction rate:** at 570 m³/h, it quickly ensures optimal kitchen air quality.
- **Silent:** maximum extractor performance with little noise
- **LED lighting:** for perfect, energy-efficient illumination of the cooktop.
- **Push buttons:** simply modify the desired power level settings with mechanic control.

Technical Data

| | |
|--------------------------------------------------------|--------------------------|
| Color chimney : | Stainless steel |
| Typology : | Chimney |
| Approval certificates : | Australia Standards, VDE |
| Length electrical supply cord (cm) : | 130 |
| Height of the chimney (mm) : | 553-730/573-730 |
| Height of product, without chimney (mm) : | 246 |
| Minimum distance above an electric hob : | 550 |
| Minimum distance above a gas hob : | 650 |
| Net weight (kg) : | 8.399 |
| Type of control : | mechanical |
| Number of speed settings : | 3 |
| Maximum output air extraction (m ³ /h) : | 598 |
| Maximum output recirculating air (m ³ /h) : | 406 |
| Number of lights : | 2 |
| Noise level (dB) : | 69 |
| Diameter of air outlet (mm) : | 150 / 120 |
| Grease filter material : | Washable aluminium |
| EAN code : | 4242005100637 |
| Connection Rating (W) : | 220 |
| Current (A) : | 10 |
| Voltage (V) : | 220-240 |
| Frequency (Hz) : | 50; 60 |
| Plug type : | AU plug |
| Installation typology : | Wall-mounted |

Optional accessories

DHZ5275 : Recirculating kit



Serie | 2, Wall-mounted cooker hood, 60 cm, Stainless steel DWP66BC50A

Canopy hood: perfect performance matching your kitchen.

Design & Innovation

- Pyramid design
- Appliance colour: Stainless steel

Power and Mode of Operation

- 3 power settings via Push button
- Extraction rate exhaust air according to EN 61591: max. 570 m³/h
- Extraction rate in recirculation mode:
Max. normal use: 400 m³/h
- Ducted and recirculated-air operation
- For recirculated extraction optional recirculation kit (accessory) needed
- Push button controls for power and light
- Twin channel high performance fan motor
- Noise min./max. Normal Level: 49/69 dB
Noise max. Intensive setting: NO_FEATURE dB
- Noise level in recirculation mode:
Max. normal use: 75 dB(A) re 1 pW (63 dB(A) re 20 µPa sound pressure)
- Energy Efficiency Class: A (at a range of energy efficiency classes from A++ to E)
- Average Energy Consumption: 39.9 kWh/year
- Power rating: 220 W

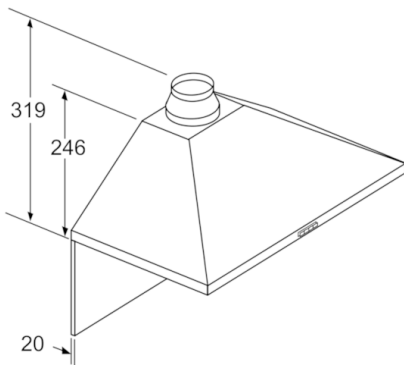
Comfort & Convenience

- Dishwasher safe metal grease filters
- 2 x 1.5W LED
- with one-way flap: prevents outside air from entering your kitchen

Technical Information

- Appliance width: 600 mm
- Dimensions exhaust air (HxWxD): 799-975 x 600 x 500 mm
- Dimensions recirculating (HxWxD): 799-975 x 600 x 500 mm
- Diameter pipe Ø 150 mm (Ø 120 mm enclosed)
- Electrical cable length 1.3 m

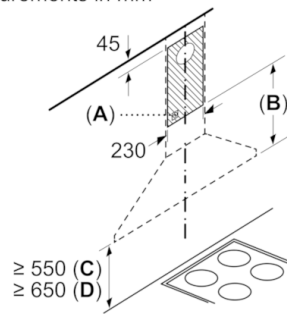
**Serie | 2, Wall-mounted cooker hood, 60 cm,
Stainless steel
DWP66BC50A**



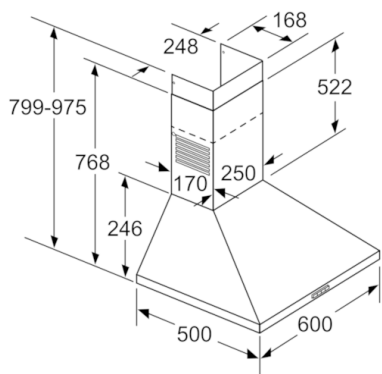
If a back panel is used,
the design of the appliance
must be considered.

measurements in mm

measurements in mm



- A: Socket
- B: Exhaust air: ≥ 280 ; circulated air: ≥ 490
- C: electric
- D: Gas, from upper edge of pan support



measurements in mm