

**Series 8, Wall-mounted canopy  
rangehood, 90 cm, clear glass black  
printed  
DWK91LT65**



**The premium inclined rangehood, with  
superior performance and outstanding  
design**

- **Eco Silence Drive:** the powerful, energy-saving drive for hoods.
- **Cooktop-based Hood Control:** convenient operation of the hood via your hob.
- **Temperature Light:** create perfect kitchen ambience with adjustable LED lighting.
- **Home Connect:** control your hood via the app.

Typology: .....Wall-mounted  
 Length electrical supply cord: ..... 130.0 cm  
 Height of the chimney: ..... 420-663/457-750 mm  
 Height of product, without chimney: ..... 450 mm  
 Minimum distance above an electric cooktop: ..... 600 mm  
 Minimum distance above a gas cooktop: ..... 650 mm  
 Net weight: ..... 25.9 kg  
 Type of control: .....Electronic  
 Number of power settings: ..... 3-stages + 2 intensive settings  
 Max. air extraction: ..... 441 m<sup>3</sup>/h  
 Boost position output recirculating: ..... 944 m<sup>3</sup>/h  
 Max. air recirculation: ..... 437 m<sup>3</sup>/h  
 Boost position air extraction: ..... 1007 m<sup>3</sup>/h  
 Number of lights: ..... 2  
 Noise level: .....51 dB(A) re 1pW  
 Diameter of air outlet: ..... 150 mm  
 Grease filter material: ..... Washable stainless steel  
 EAN code: .....4242005307418  
 Connection rating: ..... 250 W  
 Fuse protection: .....10 A  
 Voltage: ..... 220-240 V  
 Frequency: ..... 50; 60 Hz  
 Plug type: ..... Gardy plug w/ earthing  
 Installation typology: .....Wall-mounted

- DWZ0BX6K1 Chimney extension 1000 mm
- DWZ0BX6L1 Chimney extension 1500 mm
- DWZ1BK1B6 Clean Air Plus odor filter (replacement)
- DWZ1BK1I6 Clean Air Plus recirculation kit
- DWZ1BK1P1 Long Life odor filter (replacement)
- DWZ1BK1R1 Long Life recirculation kit (chimless)
- DWZ1BK1S1 Long Life recirculation kit
- DWZ1BK1V6 Clean Air Plus recirc. kit (chimless)
- HEZG9AS00S Adapter



## Series 8, Wall-mounted canopy rangehood, 90 cm, clear glass black printed DWK91LT65

### The premium inclined rangehood, with superior performance and outstanding design

#### Design:

- Inclined design
- Wall-mounted
- Suitable for ducted or re-circulated extraction
- In recirculation operation chimneyless use possible
- For recirculation operation Clean Air Plus recirculation kit (not included with appliance) needed.

#### Features:

- Efficient BLDC-technology
- 2, LED, adjustable colour temperature lights
- SoftLight : the lighting elements switch on and off smoothly.
- Dimming function : the brightness of the lighting elements can be adjusted.
- Colour Temperature: 3500 K
- Light Intensity: 422 lux
- Ambient Light
- Powerboost position: Rangehood can be set to a defined extraction boost position in order to increase the catch rate of particularly strong cooking smells and large amounts of steam.
- 2 capture areas: front side and bottom side
- 3 metal grease filter(s).

#### Comfort Features:

- PerfectAir sensor: Automatic Sensor-based performance control for best results
- Backlit DirectSelect control
- 3 power levels + 2 intensive levels
- Automatic reset from intensive to normal setting after 6 min.
- Saturation display for filters
- after run automatic: 10 minutes

#### Digital Features:

- Home Connect: operate, monitor and set preferences of your rangehood via smartphone or tablet.
- Cooktop-based rangehood control: automatically activates the rangehood when cooking, thanks to the WiFi connection of the rangehood and a suitable cooktop.
- Voice Control enabled via popular voice assistants
- Customisable Performance Profiles: choose between standard, performance or silence profiles to increase the extraction rate or reduce the fan noise via Home Connect App
- Favourite Button: directly access favourite functions with a configurable button (available with connected Home Connect account).
- Smart home trigger, via Favourite button (available with connected Home Connect account): open up the smart universe from your rangehood (partner service required).
- LED light with adjustable light temperature: Allows you to adapt the light temperature to your personal needs via Home Connect

#### App

- Ambient Light with more than 16 million colour options for inspiring illumination via Home Connect App
- Updateable appliance (available with connected Home Connect account): keep appliance always up to date with latest status of software.

#### Cleaning Comfort:

- Easy to clean smooth surfaces and materials.
- metal grease filter dishwasher-safe

#### Performance Exhaust:

- According to EN 61591 and EN/ IEC 60704-2-13 your appliance can achieve the following values in exhaust mode: Speed 1: extraction rate 228 m<sup>3</sup>/h ; noise level 35 dB (A) re1pW Speed 2: extraction rate 325 m<sup>3</sup>/h ; noise level 43 dB (A) re1pW Speed 3: extraction rate 441 m<sup>3</sup>/h ; noise level 51 dB (A) re1pW Intensive 1: extraction rate 753 m<sup>3</sup>/h ; noise level 65 dB (A) re1pW Intensive 2: extraction rate 1007 m<sup>3</sup>/h; noise level 70 dB (A) re1pW
- According to EN 61591 and EN/ IEC 60704-2-13 your appliance can achieve the following values in recirculation mode with Clean Air plus recirculation kit, for installation with chimney (available as optional accessory): Speed 1: extraction rate 211 m<sup>3</sup>/h ; noise level 42 dB (A) re1pW Speed 2: extraction rate 315 m<sup>3</sup>/h ; noise level 51 dB (A) re1pW Speed 3: extraction rate 435 m<sup>3</sup>/h ; noise level 59 dB (A) re1pW Intensive Speed 1: extraction rate 752 m<sup>3</sup>/h ; noise level 72 dB (A) re1pW Intensive Speed 2: extraction rate 964 m<sup>3</sup>/h ; noise level 78 dB (A) re1pW

#### Technical Information:

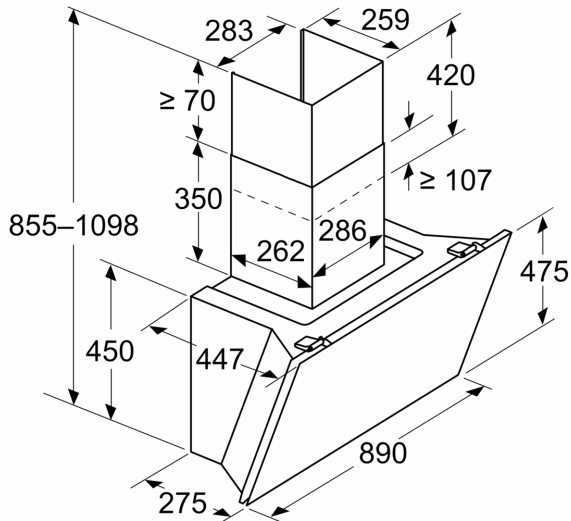
- Power rating: 250 W
- Voltage: 220 - 240 V
- Made in Germany: produced at a CO<sub>2</sub> neutral production site
- Environmentally friendly packaging

#### Planning and Installation Information:

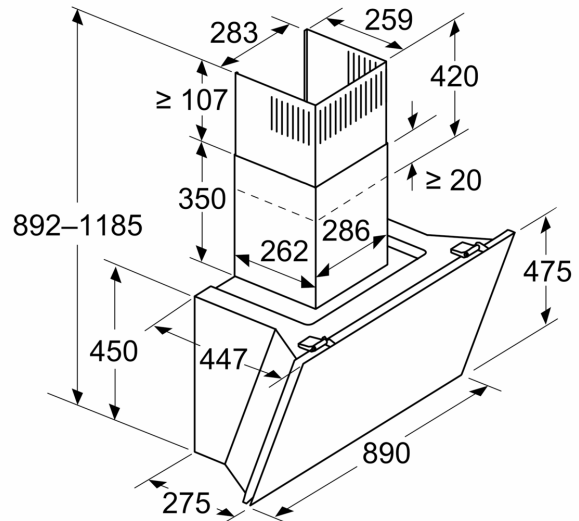
- Dimensions exhaust air (HxWxD): 855-1098 x 890 x 447 mm
- Dimensions recirculating (HxWxD): 892-1185 x 890 x 447 mm
- Diameter pipe Ø 150 mm (Ø 150 mm enclosed)
- Electrical cable length 1.3 m
- with one-way flap: prevents outside air from entering your kitchen

**Series 8, Wall-mounted canopy  
rangehood, 90 cm, clear glass black  
printed  
DWK91LT65**

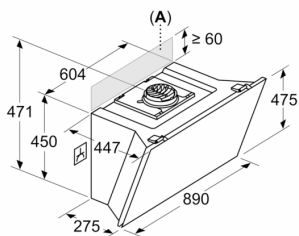
Measurements in mm  
**Appliance in exhaust air mode**



Measurements in mm  
**Appliance in circulated air mode**



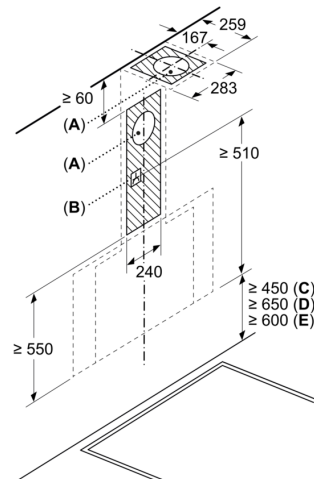
Measurements in mm  
**Appliance in circulated air mode without duct**



Socket can be fitted to the side of or above the appliance

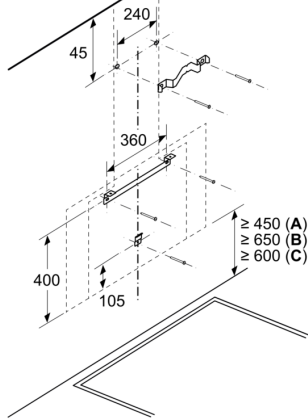
A: Socket only outside the marked area

Measurements in mm



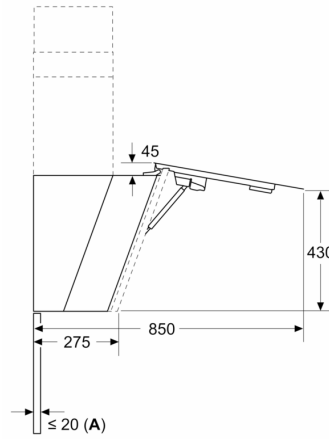
- A: Exhaust-air outlet
- B: Socket
- C: Electric
- D: Gas - from upper edge of pan support
- E: Electric - for Australia and New Zealand

Measurements in mm  
Wall installation with chimney



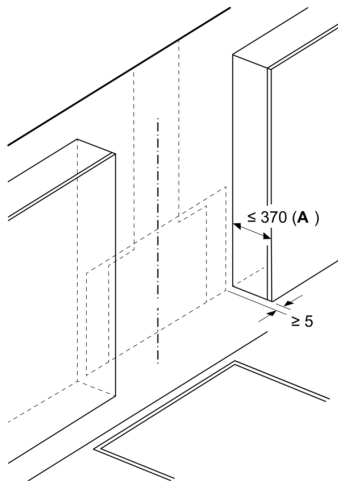
- A: Electric
- B: Gas - from upper edge of pan support
- C: Electric - for Australia and New Zealand

Measurements in mm



- A: Max. back wall thickness

Measurements in mm



- A: Max. depth of side upper cabinets (incl. door) due to installation of glass plate

Appliance must be installed before upper cabinets, if these are deeper than 370 mm