

# Built-under Dishwasher, Sanitise

Series 7 | Contemporary

Black Stainless Steel



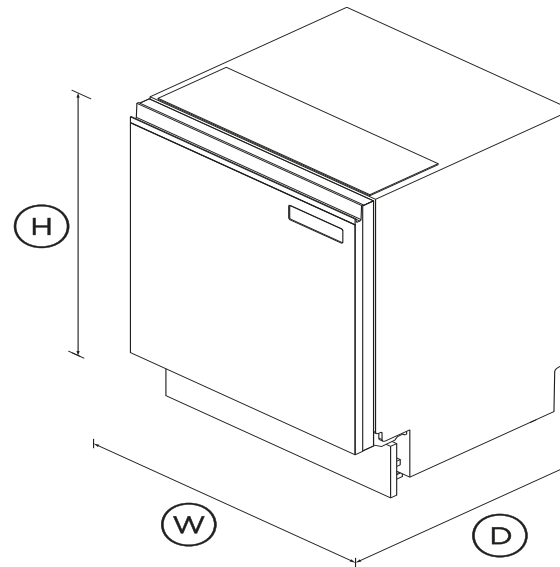
Offering a superior wash performance and advanced drying, this dishwasher is designed to fit flush under your benchtop for a seamless look.

- Designed to be built under your benchtop, fitting flush with cabinetry for a seamless look
- Seven wash programs from Heavy to Light, including Auto, 60min and Eco
- Dry+, Sanitise, Half Load and Intensive modifiers provide extra wash options

- Wi-Fi enabled and works with the SmartHQ™ app for remote control and notifications

## DIMENSIONS

Height	820 - 880mm
Width	597mm
Depth	574mm



## FEATURES & BENEFITS

### SEAMLESS DESIGN

Install this dishwasher flush under your benchtop with minimal gaps. Designed to match our Contemporary family of appliances with a recessed handle for a seamless finish in your kitchen.

### ADVANCED DRYING

For beautifully dry dishes every time, this dishwasher features an

advanced drying system that combines fan-assisted drying and automatic door opening at the end of the cycle. By opening to release excess steam, Auto Door Open Dry helps to ensure your dishes come out dry and ready to use or store.

### A RELIABLE CLEAN

This dishwasher offers seven wash programs including Auto, which automatically senses the optimal wash settings for your dishes. The three-stage filtration system delivers a superior clean, while the rinse aid indicator reminds you to top up for beautifully clean dishes.

### CUSTOMISE YOUR WASH

Create the perfect wash with our range of modifiers, from Intensive for a thorough clean to Half Load, ideal for a partial load. The Sanitise modifier provides extra protection, killing 99.9% of bacteria\* in the final rinse, while Dry+ is great for plastic dishes. \*Certified to NSF/ANSI Standard 184

### QUIET PERFORMER

Running at a very low decibel rating, this dishwasher does its job without making a fuss. The combination of clever technology and simple mechanics means greater reliability and superior wash performance, with minimal noise.

### EFFICIENT PERFORMANCE

With a 4.5 star energy rating and 5.5 star water rating, this dishwasher delivers a powerful wash. Use the Eco wash program for optimal water and energy consumption, or choose when the cycle begins with Delay Start.

### FLEXIBLE LOADING

Designed to fit 15 place settings, this spacious model lets you stack large items with ease. Adjustable rack options provide flexibility for any load, with a full-width cutlery tray, height-adjustable middle rack, cup holders and wine glass supports.

## SPECIFICATIONS

### Accessories (included)

Cutlery basket •

**Capacity and loading**

Accommodates round plates **320mm**  
 Accommodates round plates **200mm (with cutlery tray),**  
 Adjustable height, foldable •  
 Easy lift adjustable upper •  
 Fold down tines •  
 Large crockery insert in lower •  
 Place settings **15**  
 Telescopic slides •  
 Wine glass supports with •

**Consumption**

Energy rating **4.5 star**  
 Energy usage **206 kWh/year**  
 Water rating **5.5 star (WELS)**  
 Water usage (per wash cycle) **11.1L**

**Controls**

Child lock •  
 Energy saving delay start •  
 Internal light •  
 Intuitive capacitive touch •  
 Rinse aid indicator light •  
 Time remaining LED display •  
 Wi-Fi connectivity •

**Features**

Air curtain for bench •

Aquastop •  
 Auto Door Open Dry •  
 Fan assisted drying •  
 Flood protection •  
 Fully independent spray arms •  
 Half load option •  
 Internal tub material **Stainless Steel**  
 Motor type **BLDC**  
 Three-stage filtration system •

**Performance**

Noise emissions **42dBA**

**Power requirements**

Amperage **10A**  
 Supply frequency **50Hz**  
 Supply voltage **230V**

**Product dimensions**

Depth **574mm**  
 Height **820 - 880mm**  
 Width **597mm**

**Warranty**

Parts and labour **2 years**

**Wash Program Modifiers**

Dry + •  
 Half-load •

Intensive •  
 Sanitise •  
 Wash modifiers **4**

**Wash Programs**

60 min •  
 Auto •  
 Eco •  
 Heavy •  
 Light •  
 Medium •  
 Rinse •  
 Wash programs **7**

**Water connection**

Water pressure **Min 34.5 kPa, max 1034 kPa**  
 Water supply **3/4 BSP (20mm) connector**

SKU **82435**

The product dimensions and specifications in this page apply to the specific product and model. Under our policy of continuous improvement, these dimensions and specifications may change at any time. You should therefore check with Fisher & Paykel's Customer Care Centre to ensure this page correctly describes the model currently available. ? Fisher & Paykel Appliances Ltd 2020

---

Other product downloads available at [fisherpaykel.com](https://fisherpaykel.com)



Service & Warranty



Preliminary Specification Guide Dishwasher



**A PEACE OF MIND SALE**

24 Hours 7 Days a Week Customer Support

T 1300 650 590 **W**[www.fisherpaykel.com](https://www.fisherpaykel.com)