

Built-under Dishwasher, Sanitise

Series 5 | Contemporary

Black Stainless Steel

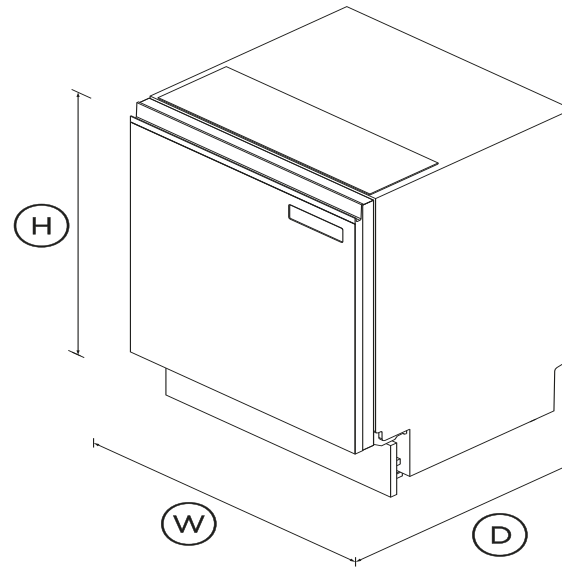


Designed to fit flush under your benchtop for a seamless look, this dishwasher delivers extra wash options and Auto Door Open Dry.

- Designed to be built under your benchtop, fitting flush with cabinetry for a seamless look
- Seven wash programs from Heavy to Light, including Auto, 60min and Eco
- Dry+, Sanitise and Half Load modifiers provide extra wash options
- Wi-Fi enabled and works with the SmarthQ™ app for remote control and notifications

DIMENSIONS

Height	820 - 880mm
Width	597mm
Depth	574mm



FEATURES & BENEFITS

SEAMLESS DESIGN

Install this dishwasher flush under your benchtop with minimal gaps. Designed to match our Contemporary family of appliances with a recessed handle for a seamless finish in your kitchen.

EFFORTLESS DRYING

For beautifully dry dishes, this dishwasher features automatic door opening at the end of the cycle to release excess steam. Making unloading more convenient, the Auto Door Open Dry

feature helps to ensure dishes come out dry and ready to use or store.

A RELIABLE CLEAN

This dishwasher offers seven wash programs including Auto, which automatically senses the optimal wash settings for your dishes. The three-stage filtration system delivers a superior clean, while the rinse aid indicator reminds you to top up for beautifully clean dishes.

CUSTOMISE YOUR WASH

The Half Load modifier is perfect for washing a partial load, for faster turnaround of dishes. Sanitise provides extra protection, killing 99.9% of bacteria* in the final rinse, while the Dry+ modifier is great for plastic dishes. *Certified to NSF/ANSI Standard 184

EFFICIENT PERFORMANCE

With a 4 star energy rating and 5 star water rating, this dishwasher delivers a powerful wash. Use the Eco wash program for optimal water and energy consumption, or choose when the cycle begins with Delay Start.

FLEXIBLE LOADING

Designed to fit 15 place settings with ease, adjustable racks help you to load and care for various items – including a height-adjustable upper basket, and foldable cup holders and tines.

SPECIFICATIONS

Accessories (included)

Cutlery basket •

Capacity and loading

Accommodates round plates	320mm
Accommodates round plates	250mm
Adjustable height, foldable	•
Easy lift adjustable upper	•

Fold down tines	•
Place settings	15

Consumption

Energy rating	4 star
Energy usage	246kWh/year
Water rating	5 star (WELS)
Water usage (per wash cycle)	12.2L

Controls

Child lock	•
Energy saving delay start	•
Rinse aid indicator light	•
Time remaining LED display	•
Wi-Fi connectivity	•

Features

Air curtain for bench	•
Aquastop	•
Auto Door Open Dry	•
Flood protection	•
Half load option	•
Internal tub material	Stainless Steel
Motor type	Asynchronous
ThermoDry system	•
Three-stage filtration system	•

Performance

Noise emissions	46dBA
-----------------	-------

Power requirements

Amperage	10A
Supply frequency	50Hz
Supply voltage	230V

Product dimensions

Depth	574mm
Height	820 - 880mm
Width	597mm

Warranty

Parts and labour	2 years
------------------	---------

Wash Program Modifiers

Dry +	•
Half-load	•
Sanitise	•
Wash modifiers	3

Wash Programs

60 min	•
Auto	•
Eco	•
Heavy	•
Light	•
Medium	•
Rinse	•
Wash programs	7

Water connection

Water pressure	Min 34.5 kPa, max 1034 kPa
Water supply	3/4 BSP (20mm) connector

SKU	82430
-----	-------

The product dimensions and specifications in this page apply to the specific product and model. Under our policy of continuous improvement, these dimensions and specifications may change at any time. You should therefore check with Fisher & Paykel's Customer Care Centre to ensure this page correctly describes the model currently available. ? Fisher & Paykel Appliances Ltd 2020

Other product downloads available at fisherpaykel.com



Service & Warranty



Preliminary Specification Guide Dishwasher



A PEACE OF MIND SALE

24 Hours 7 Days a Week Customer Support

T 1300 650 590 **W**www.fisherpaykel.com