

# Integrated Dishwasher

Series 5 | Integrated

Panel Ready

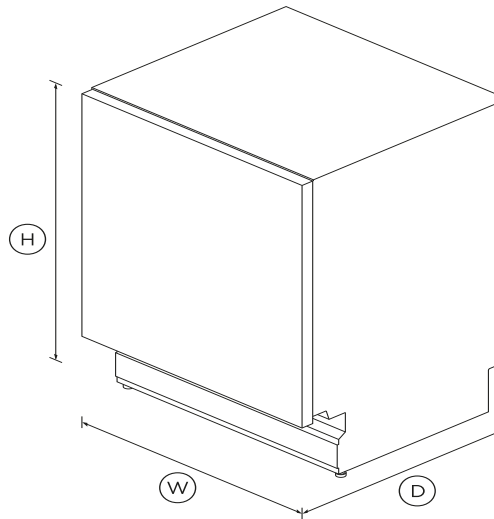


Designed to be integrated seamlessly into your surrounding cabinetry, with superior wash performance.

- Customise with your own front panel and handle to match your kitchen cabinetry
- Six wash programs to suit any load, from Delicate to Heavy
- Auto option senses the optimum wash cycle for your dishes

## DIMENSIONS

<b>Height</b>	<b>820 - 880mm</b>
<b>Width</b>	<b>598mm</b>
<b>Depth</b>	<b>552mm</b>



## FEATURES & BENEFITS

### Seamless integration

Customise your dishwasher with a panel and handle matching your cabinetry, for a seamless finish in your kitchen.

### Quiet performer

Running at a very low decibel rating, this dishwasher does its job without making a fuss. The combination of clever technology and simple mechanics means greater reliability and superior wash performance.

### A quality wash

The 3 stage filtration system delivers a superior clean. Cup racks, wine glass supports and utensil tray allow safe and easy cleaning of everyday items. A rinse aid indicator reminds you to top up for squeaky-clean dishes.

### Flexible wash options

This dishwasher offers 6 wash programs including Auto, which automatically senses the optimal wash cycle for your dishes.

## SPECIFICATIONS

### Accessories

Contemporary round handle	<b>Part number 81645</b>
Contemporary square fine	<b>Part number 82099</b>
Contemporary square handle	<b>Part number 81794</b>
Kickstrip	<b>brackets for custom panel</b>

### Capacity and loading

Accommodates round plates	<b>300mm</b>
Adjustable height, foldable	•
Easy lift adjustable upper	•
Fold down tines	•
Place settings	<b>15</b>
Wine glass supports	•

### Consumption

Energy rating	<b>3.5 star</b>
Energy usage	<b>287kWh/year</b>
Water rating	<b>5 star (WELS)</b>
Water rating (WELS)	<b>5 star</b>
Water usage (per wash cycle)	<b>11.6 litres per wash cycle</b>

**Controls**

Child lock	•
End of cycle beeps	•
Energy saving delay start	•
Rinse aid indicator light	•

**Features**

Half load option	•
Quiet operation	•
ThermoDry system	•
Three-stage filtration system	•
Variable wash pressure	•

**Performance**

Noise emissions	<b>48dBA</b>
-----------------	--------------

**Power requirements**

Amperage	<b>10A</b>
----------	------------

**Product dimensions**

Depth	<b>552mm</b>
Height	<b>820 - 880mm</b>
Width	<b>598mm</b>

**Warranty**

Parts and labour	<b>2 years</b>
------------------	----------------

**Wash Programs**

Auto	•
------	---

Eco	•
Fast	•
Heavy	•
Medium	•
Number of wash programs	<b>6</b>
Rinse	•

**Water connection**

Water pressure	<b>0.1 Mpa - 1 Mpa</b>
----------------	------------------------

SKU	<b>81202</b>
-----	--------------

The product dimensions and specifications in this page apply to the specific product and model. Under our policy of continuous improvement, these dimensions and specifications may change at any time. You should therefore check with Fisher & Paykel's Customer Care Centre to ensure this page correctly describes the model currently available. ? Fisher & Paykel Appliances Ltd 2020

**Other product downloads available at fisherpaykel.com**

<a href="#">↓</a>	Quick Start Guide
<a href="#">↓</a>	User Guide
<a href="#">↓</a>	Service & Warranty
<a href="#">↓</a>	Installation Guide
<a href="#">↓</a>	Data Sheet Integrated Dishwasher

**A PEACE OF MIND SALE****24 Hours 7 Days a Week Customer Support****T 1300 650 590 Wwww.fisherpaykel.com**