

Freestanding Dishwasher, Sanitise

Series 5 | Contemporary

Stainless Steel

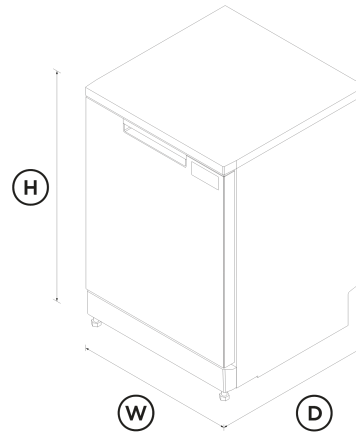


Designed to match the Contemporary family of appliances, this dishwasher delivers multiple wash options and Auto Door Open Dry.

- Seven wash programs from Heavy to Light, including Auto, 60min and Eco
- Dry+, Sanitise, and Half Load modifiers provide extra wash options
- Flexible freestanding installation anywhere in your kitchen
- Impressive 4 star energy rating and 5 star (WELS) water ratings

DIMENSIONS

Height	850 - 895 mm
Width	597 mm
Depth	600 mm



FEATURES & BENEFITS

Considered Design

Designed to match our Contemporary style family of products, this freestanding dishwasher has a sleek stainless steel finish with a front-of-door control panel for intuitive usability.

Effortless Drying

For beautifully dry dishes every time, this dishwasher features the Auto Door Open Dry function. This function automatically releases excess steam at the end of the cycle, ensuring dishes are immediately ready for use or storage.

A Reliable Clean

This dishwasher offers seven wash programs including Auto, which automatically senses the optimal wash settings for your dishes. The three-stage filtration system delivers a superior clean, while the rinse aid indicator reminds you to top up for beautifully clean dishes.

Customise Your Wash

The Half Load modifier is perfect for washing a partial load, for faster turnaround of dishes. Sanitise provides extra protection, killing 99.9% of bacteria* in the final rinse, while the Dry+ modifier is great for plastic dishes.

*Certified to NSF/ANSI Standard 184

Efficient Performance

With a 4 star energy rating and 5 star water rating, this dishwasher delivers a powerful wash. Use the Eco wash program for optimal water and energy consumption, or choose when the cycle begins with Delay Start.

Flexible Loading

Designed to fit 15 place settings with ease, adjustable racks help you to load and care for various items - including a height-adjustable upper basket, and foldable cup holders and tines.

SPECIFICATIONS

Capacity and loading

Accommodates round plates up to (lower basket)	320mm
Accommodates round plates up to (top basket)	250mm
Adjustable height, foldable cupracks	•
Easy lift adjustable upper basket	•
Fold down tines	•
Place settings	15

Place settings	15	Noise emissions	46 dBA	Light	•
				Medium	•
				Rinse	•
				Wash programs	7
Consumption		Power requirements		Water connection	
Energy rating	4 star	Amperage	10A	Water pressure	30kPa - 1000 kPa
Energy usage	246kWh/year	Supply frequency	50Hz	Water supply	3/4" BSP (20mm) Connector Water Inlet Hose
In-use energy carbon emissions estimate	160.2kgCO2e/year	Supply voltage	220 - 240V		
Water rating	5 star (WELS)	Product dimensions			
Water usage (per wash cycle)	12.2L	Depth	600 mm		
		Height	850 - 895 mm		
		Width	597 mm	SKU	84901
Controls		Warranty		The product dimensions and specifications in this page apply to the specific product and model. Under our policy of continuous improvement, these dimensions and specifications may change at any time. You should therefore check with Fisher & Paykel's Customer Care Centre to ensure this page correctly describes the model currently available. © Fisher & Paykel Appliances Ltd 2020	
Energy saving delay start option of up to 12 hours	•	Parts and labour	2 years	Other product downloads available at fisherpaykel.com	
Intuitive capacitive touch controls	•	Wash Program Modifiers		↓	2D-DWG Dishwasher
Keylock	•	Dry +	•	↓	2D-DXF Dishwasher
Rinse aid indicator light	•	Half load	•	↓	Data Sheet Dishwasher
		Sanitise	•	↓	Energy & Water Label Dishwasher
		Wash modifiers	3	↓	Service & Warranty
Features		Wash Programs		↓	Installation Guide Dishwasher
Aquastop	•	60 min	•	↓	Preliminary Specification Guide Dishwasher
Auto Door Open Dry	•	Auto	•	↓	User Guide Dishwasher
Flood protection	•	Eco	•	↓	Wash Program Data Dishwasher
Half load option	•	Heavy	•		
Internal tub material	Stainless Steel				
Motor type	Asynchronous				
ThermoDry system	•				
Three-stage filtration system	•				
Performance					

Where applicable:

All appliances use energy, and energy usage typically generates carbon emissions. **Fisher & Paykel Appliances' In-use Energy Carbon Emissions Estimate** indicates carbon emissions from a product's in-use energy. This is calculated either annually or per cycle, using the product's market-specific energy label energy consumption data multiplied by the carbon emissions factor for energy in your country or region.

Our In-use Energy Carbon Emissions Estimate is designed to assist customers in making informed purchasing decisions when comparing different Fisher & Paykel products. For example, a heat pump dryer typically has a lower In-use Energy Carbon Emissions Estimate than a vented dryer.



A PEACE OF MIND SALE
24 Hours 7 Days a Week Customer Support
T 1300 650 590 W www.fisherpaykel.com