

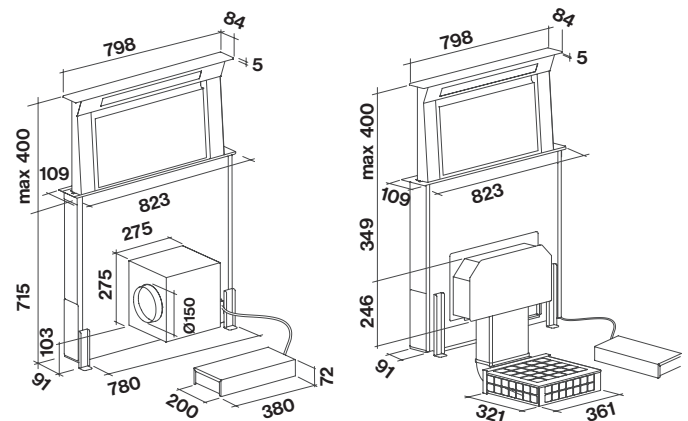


Product Features

<b>Motor Type</b>	Remote (Recirculating or Inline)
<b>Filtration Type</b>	Top Filter x 2 Perimeter Suction
<b>Controls</b>	Touch Controls (Remote Control Optional)
<b>Speed Settings</b>	3 Speed + Boost
<b>Timer Function</b>	15 Min Auto Shut-Off
<b>Ducting</b>	200mm Circular Outlet
<b>Included Accessories with Inline Motor</b>	90° Elbow Wall Vent 5m Flexi Ducting
<b>Included Accessories with Recirculating Motor</b>	Carbon.Zeo Filter Rectangular Vertical Elbow Rigid Rectangular Ducting Base Board Vent

\* Maximum distance from cooktop 150cm

Dimensioned Drawings



BASE BOARD VENT



Model Code	Hood Mounting	Size	Motor Output	Lighting	Finish
F8DD90B1-IN1300	In-Bench	90cm	1300 m <sup>3</sup> /hr	LED Strip 14W	Black Glass
F8DD90B1-IN950	In-Bench	90cm	950 m <sup>3</sup> /hr	LED Strip 14W	Black Glass
F8DD90B1-UC600	In-Bench	90cm	600 m <sup>3</sup> /hr	LED Strip 14W	Black Glass
F8DD90S1-IN1300 •	In-Bench	90cm	1300 m <sup>3</sup> /hr	LED Strip 14W	Stainless Steel
F8DD90S1-IN950 •	In-Bench	90cm	950 m <sup>3</sup> /hr	LED Strip 14W	Stainless Steel
F8DD90S1-UC600 •	In-Bench	90cm	600 m <sup>3</sup> /hr	LED Strip 14W	Stainless Steel

Special Order •