

# TECHNICAL DATASHEET

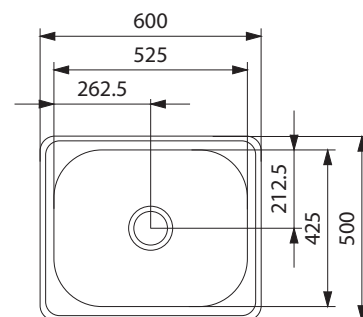
## DELUXE DLT 610

Product Category	Laundry Tubs
Finish	Stainless Steel
Installation	Inset
Range	DELUXE
Model	DLT 610
Warranty	50 Years



### PRODUCT INFORMATION

Article Number	
Dimensions	600 X 500mm
Cabinet Base	600mm
Bowl Size	525 x 425 x 260mm/45L
Cut-Out Size	588 x 488mm, cr=50
Cut-Out Template	No
Waste Outlet	Semi Integrated Waste
Overflow	No
Tap Holes	No
Remote Waste	No
Opposite Configuration	N/A



### FEATURES & BENEFITS

LAST UPDATED: 14 JAN 2016

Make  
it  
Wonderful

**FRANKE**