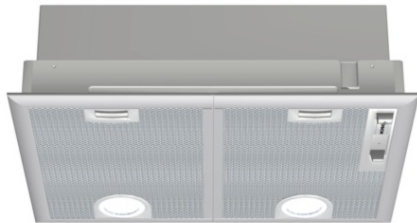


**Serie | 4 Hoods**
**DHL555BAU**  
**53 cm Integrated Rangehood**


05/01 DHL 545 S



**The canopy rangehood: offers you flexibility in your kitchen planning - mount it either on the wall or above a kitchen island.**

- **Extraction rate:** at 650 m<sup>3</sup>/h, it quickly ensures optimal kitchen air quality.
- Halogen lighting provides optimal, energy-efficient illumination of the cooktop.
- **Intensive speed setting:** removes strong kitchen odours especially quickly and effectively.
- **Especially quiet:** just 52 dB (320 m<sup>3</sup>/h) - 150 mm ducted.

**Technical Data**

Typology :	Traditional
Approval certificates :	CE, VDE
Length electrical supply cord (cm) :	130
Required niche size for installation (HxWxD) :	255mm x 500mm x 350mm
Minimum distance above an electric hob :	650
Minimum distance above a gas hob :	650
Net weight (kg) :	7.0
Type of control :	mechanical
Number of speed settings :	3
Maximum output air extraction (m <sup>3</sup> /h) :	420
Boost position output recirculating (m <sup>3</sup> /h) :	430
Maximum output recirculating air (m <sup>3</sup> /h) :	320
Boost position air extraction (m <sup>3</sup> /h) :	650
Number of lights :	2
Noise level (dB) :	59
Diameter of air outlet (mm) :	150 / 120
Grease filter material :	Washable aluminium
EAN code :	4242002527093
Connection Rating (W) :	240
Voltage (V) :	220-240
Frequency (Hz) :	50
Plug type :	AU plug
Installation typology :	Half-integrated


**Optional accessories**

DHZ7305 : Charcoal filter for recirculation oper.

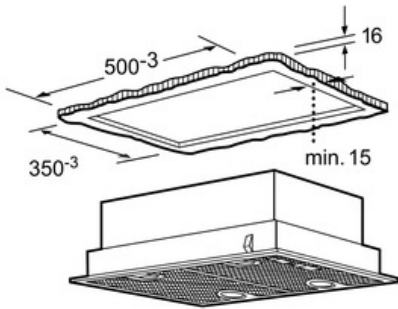
## Serie | 4 Hoods

### DHL555BAU

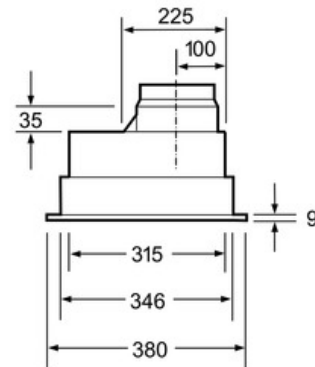
#### 53 cm Integrated Rangehood

**The canopy rangehood: offers you flexibility in your kitchen planning - mount it either on the wall or above a kitchen island.**

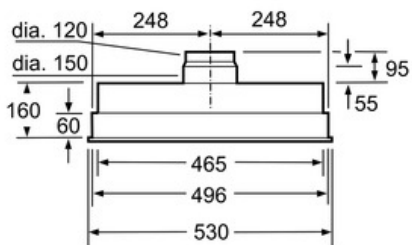
- 
- Steel body, metallic finish
  - Ducted and recirculated-air operation
  - Powerful twin motor
  - 3 power settings plus intensive setting
  - 2 x 20W halogen lights
  - On / Off indicator lights
  - Sliding switch control controls for power and light
  - 41 dB at 210 m<sup>3</sup>/h (Level 1, 150 mm ducted)
  - 2 dishwasher-safe metal grease filters
  - 650 m<sup>3</sup>/h max. extraction rate
  - 255 x 530 mm x 380 mm

**Serie | 4 Hoods**
**DHL555BAU**  
**53 cm Integrated Rangehood**


measurements in mm



measurements in mm



measurements in mm