

Heat Pump Condensing Dryer, 8kg

Series 5 | Heat Pump

White

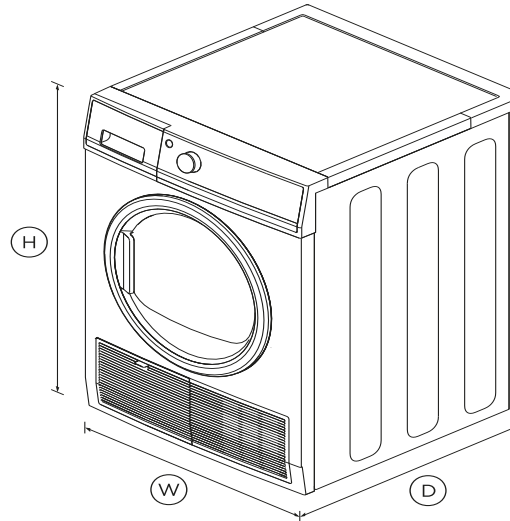


Better energy efficiency and fabric care with heat pump condensing technology, which dries your clothes at a lower temperature.

- 13 dry cycles including Freshen, Delicate, Bulky and Easy Iron for comprehensive fabric care
- Dry a couple of items fast with the convenient Quick 30 cycle
- 7 Star Energy Rating
- No need for external venting, allowing your dryer to be placed anywhere in your home

DIMENSIONS

Height	850mm
Width	600mm
Depth	645mm



FEATURES & BENEFITS

Cares for clothes

13 drying cycles including Freshen, Delicate, Bulky and Easy Iron for every type of garment. Select the cycle that best suits your load to confidently dry your clothes.

Quick drying

When time is short, you can select the Quick 30 cycle to dry clothes in 30 mins while maintaining care of fabric. Perfect for light items like work shirts or school uniforms.

Heat Pump technology

Heat pump technology dries at lower temperatures for gentle fabric care and because moisture is condensed, no venting is required. This is an ideal dryer for laundries where venting is difficult, as it can be placed almost anywhere in the home.

Avoid over-drying with Auto-sensing

Auto-sensing prevents over-drying by sensing moisture levels inside the drum and shutting off automatically. This helps clothes last longer and reduces energy consumption.

Too precious to tumble?

The drying rack is designed for items that can't be tumble dried. It fits easily into the dryer and delivers the perfect result for those precious delicates, shoes and toys.

Drum light

<>

SPECIFICATIONS

Capacity

Capacity **8kg**

Consumption

Energy rating **7 star**

Dry Cycles

- Bulky •
- Cottons •
- Delicate •
- Easy Iron •
- Everyday •
- Heavy •
- Quick 30 •

- Rack dry •
- Sheets •
- Towels •
- Wool •
- Wrinkle Free •

Features

- Drum light •
- Drying rack •
- Easy access lint filter •
- Easy clean condenser filter •
- End of cycle signal •
- Keylock •
- Lint filter indicator •
- Progress indicator •
- Safety restart switch •
- SmartTouch™ control dial •
- Stainless steel drum •
- Time to go •
- Wrinkle free option •

Performance

- Auto sensing •
- Condensing •
- Dryness settings **5**
- Heat pump technology •
- Reverse tumbling •
- Temperature settings **4**
- Time dry **10 mins - 150 mins**

Product dimensions

Depth	645mm
Height	850mm
Width	600mm

Warranty

Parts and labour	2 years
------------------	----------------

SKU	93281
-----	-------

TEST The product dimensions and specifications in this page apply to the specific product and model. Under our policy of continuous improvement, these dimensions and specifications may change at any time. You should therefore check with Fisher & Paykel's Customer Care Centre to ensure this page correctly describes the model currently available. ? Fisher & Paykel Appliances Ltd 2020

Other product downloads available at fisherpaykel.com

[↓](#) User Guide

[↓](#) Installation Guide



A PEACE OF MIND SALE

24 Hours 7 Days a Week Customer Support

T 1300 650 590 W www.fisherpaykel.com