

**Serie | 2, Slideout rangehood, 60 cm,
Silver metallic
DFM064W54A**



Optional accessories

DSZ4545 :

**Slideout rangehood: barely visible
integrated in the wall unit, this ensures a
sleek and clear kitchen finish.**

- 3-Speed Power Level Options To Suit Your Cooking Style And Recipes
- Dishwasher-safe metal grease filters for easy cleaning.
- **Grease filtration level:** filters out over 85% of the grease from kitchen air
- **LED lighting:** for perfect, energy-efficient illumination of the cooktop.
- With exhaust, the air is cleaned by a grease filter and then ducted to the outside which ensures optimal kitchen air quality.

Technical Data

Typology :	Pull-out
Approval certificates :	Australia Standards, VDE
Length electrical supply cord (cm) :	175
Required niche size for installation (HxWxD) :	162mm x 526.0mm x 290mm
Minimum distance above an electric hob :	430
Minimum distance above a gas hob :	650
Net weight (kg) :	8.811
Type of control :	mechanical
Number of speed settings :	3
Maximum output air extraction (m3/h) :	388
Maximum output recirculating air (m3/h) :	196
Number of lights :	2
Noise level (dB) :	67
Diameter of air outlet (mm) :	120 / 150
Grease filter material :	Washable aluminium
EAN code :	4242005252435
Connection Rating (W) :	108
Current (A) :	10
Voltage (V) :	220-240
Frequency (Hz) :	50
Plug type :	AU plug
Installation typology :	Built-in



4 242005 252435

Serie | 2, Slideout rangehood, 60 cm, Silver metallic DFM064W54A

Slideout rangehood: barely visible integrated in the wall unit, this ensures a sleek and clear kitchen finish.

- Appliance width: 598 mm
- Install into a 60cm wide wall cupboard
- Ducted and recirculated-air operation
- For recirculated extraction optional recirculation kit (accessory) needed

Design

- Appliance colour: Steel body, metallic finish

Comfort

- 3 power settings
- rocker switch for power and light
- Automatic On/Off operation when telescopic canopy is pulled out and pushed back
- 2 x 1.5W LED
- Colour Temperature: 3500 K

Cleaning

- Dishwasher safe metal grease filters
- Cassette with alu frame

Performance

- Extraction rate exhaust air according to EN 61591: max. 389 m³/h
- Noise min./max. Normal Level: 59/67 dB
- Average Energy Consumption: 41.1 kWh/year
- 1 single inlet horizontal, Capacitor motor

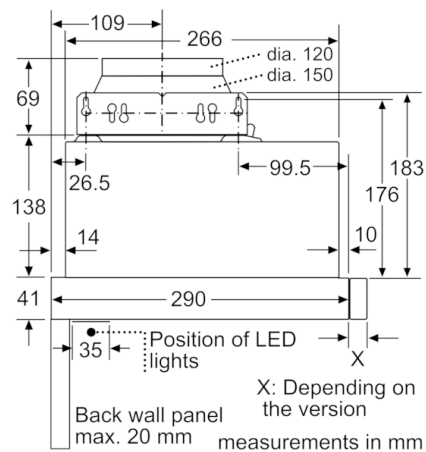
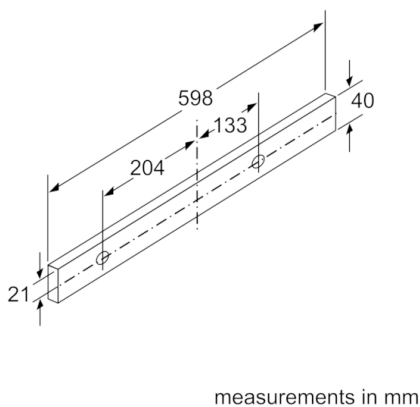
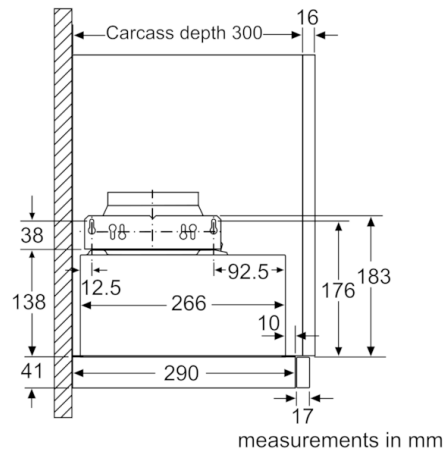
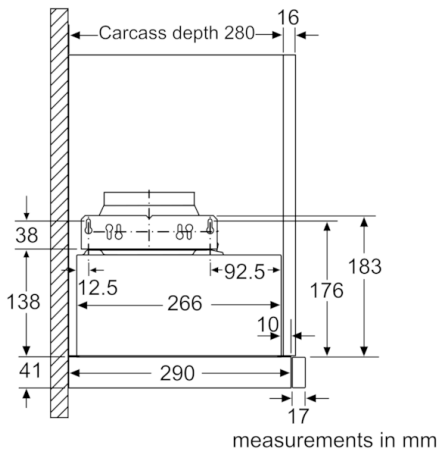
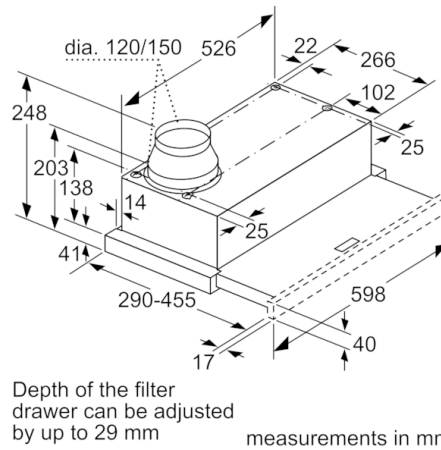
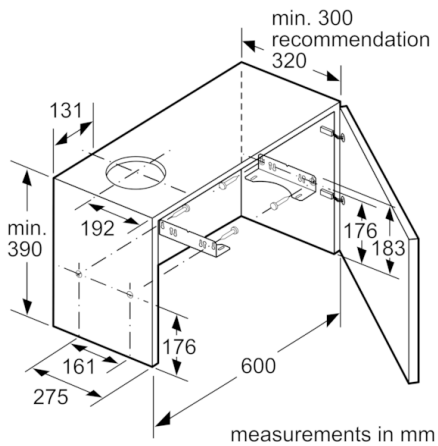
Planning and installation information

- Appliance dimensions (HxWxD): 203 x 598 x 290 mm
- Built-in dimensions (HxWxD): 162 x 526 x 290 mm
- Diameter pipe Ø 150 mm (Ø 120 mm enclosed)
- Electrical cable length 1.75 m

Consumption Data

- Power rating: 108 W

Serie | 2, Slideout rangehood, 60 cm, Silver metallic
DFM064W54A



Serie | 2, Slideout rangehood, 60 cm, Silver metallic
DFM064W54A

